



12V LED Extendlite Colors

FEATURES

- Multiple mounting options
- LED Tube is adjustable
- End-cap on/off switch
- Available in 15cm (5.9") & 30cm (11.8") lengths
- Available in multiple wavelengths
- Can be dimmed using Marktech dimmer EA2024-01

BENEFITS

- Immediate power savings
- Easy to assemble
- Quick connect sections to create a desired fixture length
- No environmentally hazardous materials

APPLICATIONS

- Shelf Lighting
- Decorative Lighting
- Accent Lighting

SPECIFICATIONS

Part Number	Description	Voltage	Watts	Viewing Angle (per LED)	Lumens (lm)	Rated Life* (hours)	Wavelength	Length (in.)
EA5KA115C-12V	Amber Extendlite ≈ 6"	12V	1.728	120°	20	50,000	605nm	5.9
EA5KB315C-12V	Blue Extendlite ≈ 6"	12V	3.024	120°	15	50,000	470nm	5.9
EA5KG915C-12V	Green Extendlite ≈ 6"	12V	3.024	120°	80	50,000	525nm	5.9
EA5KR115C-12V	Red Extendlite ≈ 6"	12V	1.728	120°	15	50,000	630nm	5.9
EA5KY115C-12V	Yellow Extendlite ≈ 6"	12V	1.728	120°	20	50,000	590nm	5.9
EA5KA130C-12V	Amber Extendlite ≈ 12"	12V	4.320	120°	50	50,000	605nm	11.8
EA5KB330C-12V	Blue Extendlite ≈ 12"	12V	6.912	120°	40	50,000	470nm	11.8
EA5KG930C-12V	Green Extendlite ≈ 12"	12V	6.912	120°	190	50,000	525nm	11.8
EA5KR130C-12V	Red Extendlite ≈ 12"	12V	4.320	120°	40	50,000	630nm	11.8
EA5KY130C-12V	Yellow Extendlite ≈ 12"	12V	4.320	120°	50	50,000	590nm	11.8

*Panoptics Lamp Life rating is based on LED source data



Dimmable!



3 YEAR LIMITED WARRANTY



To purchase this product visit www.panopticslighting.com or call 518-406-8065 to speak to a Panoptics sales representative.

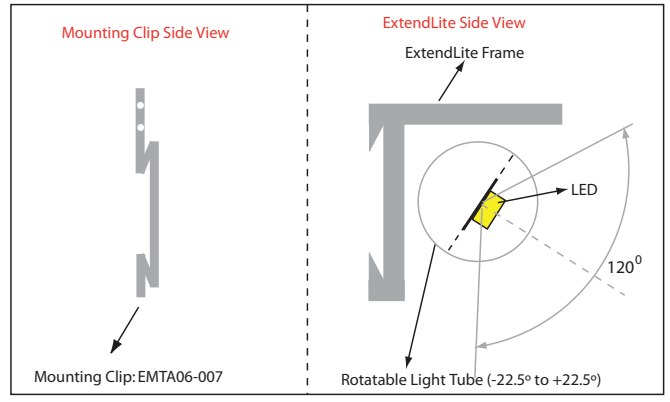
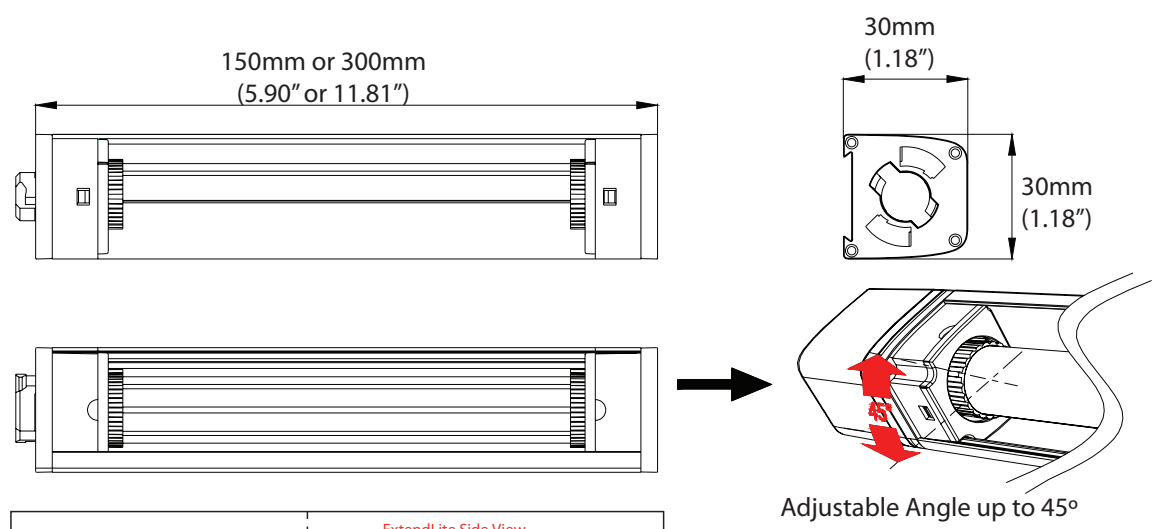


12V LED Extendlite Colors

ABSOLUTE MAXIMUM RATINGS (Ta = 25°C)

Parameter	Symbol	Rating	Unit
Operating Temperature	Topr.	-20 to +40	°C
Storage Temperature	Tstg.	-30 to +60	°C

Dimensions:



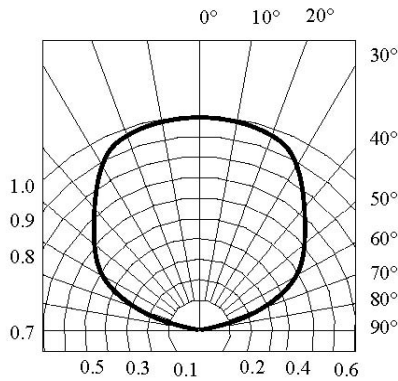
1. All dimensions are in mm (inches)
2. Tolerance is ±0.5mm (0.02") unless otherwise noted



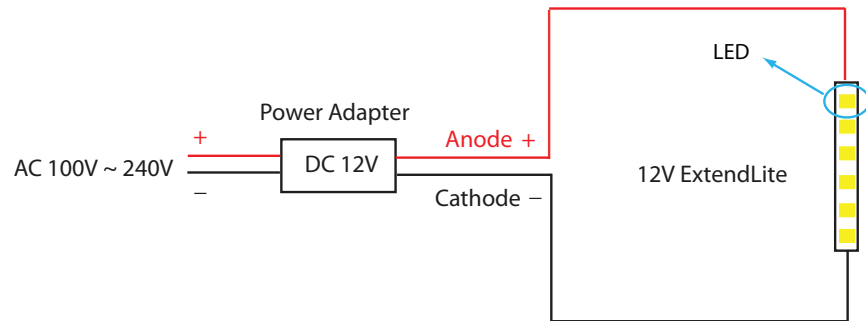
12V LED Extendlite Colors

DIAGRAMS:

Viewing Angle:



Circuit Diagram:



SUGGESTED POWER ADAPTERS FOR:

Amber, Red & Yellow - 12V, 150mm (5.90") Extendlites:

Number of Extendlites	1 to 5	6 to 10
Suggested Power Adapter	12V / 15W	12V / 25W
Power Adapter Part Number	EP101512AJ-01(EX)	EP102512AJ-01(EX)

Green & Blue - 12V, 150mm (5.90") Extendlites:

Number of Extendlites	1 to 4	5 to 7	8 to 10
Suggested Power Adapter	12V / 15W	12V / 25W	12V / 50WP
Power Adapter Part Number	EP101512AJ-01(EX)	EP102512AJ-01(EX)	EP105012AM-01(EX)

Amber, Red & Yellow - 12V, 300mm (11.81") Extendlites:

Number of Extendlites	1 to 3	4 to 5	6 to 7
Suggested Power Adapter	12V / 15W	12V / 25W	12V / 50W
Power Adapter Part Number	EP101512AJ-01(EX)	EP102512AJ-01(EX)	EP105012AM-01(EX)

Green & Blue - 12V, 300mm (11.81") Extendlites:

Number of Extendlites	1	2 to 3	4 to 7
Suggested Power Adapter	12V / 15W	12V / 25W	12V / 50W
Power Adapter Part Number	EP101512AJ-01(EX)	EP102512AJ-01(EX)	EP105012AM-01(EX)

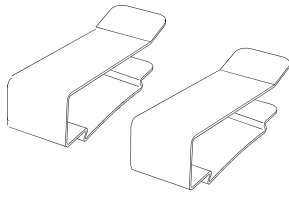


12V LED Extendlite Colors

ACCESSORIES:

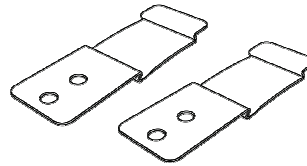
Mounting Clips:

(1) EMTA06-001 (Included)



For Glass Case

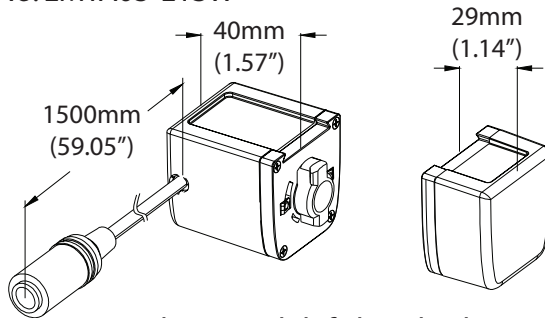
(2) EMTA06-007 (Included)



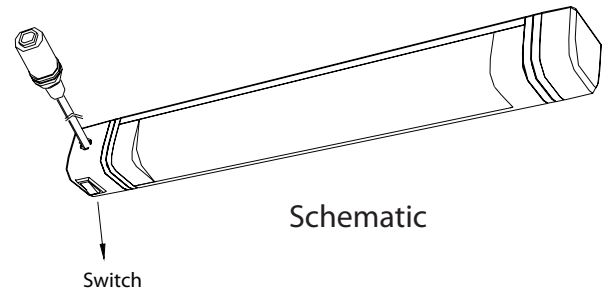
For Wood Case

End Caps: (End Caps are required for the Extendlites to work!) (Not Included)

(1) Part No. EMTA05-L1SW

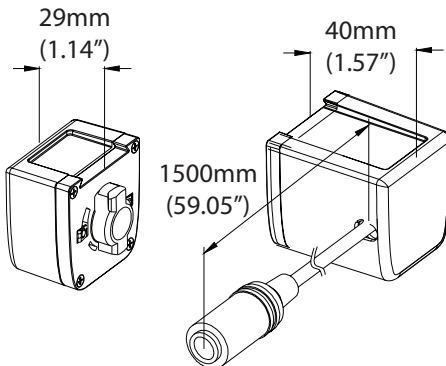


End-Cap with left-hand side switch

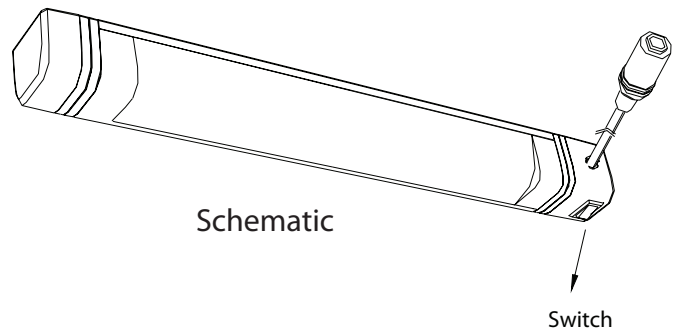


Schematic

(2) Part No. EMTA05-R1SW



End-Cap with right-hand side switch



Schematic

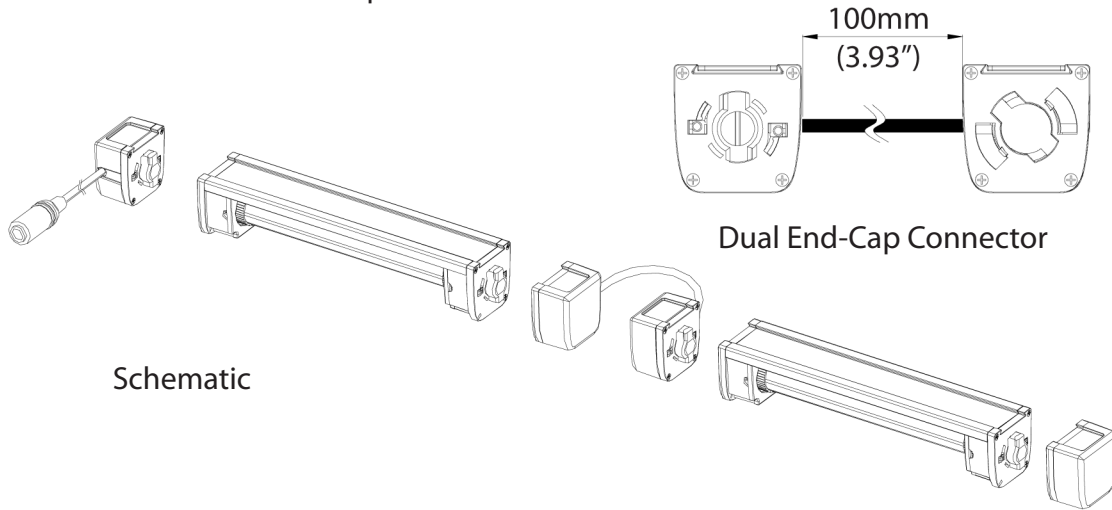


12V LED Extendlite Colors

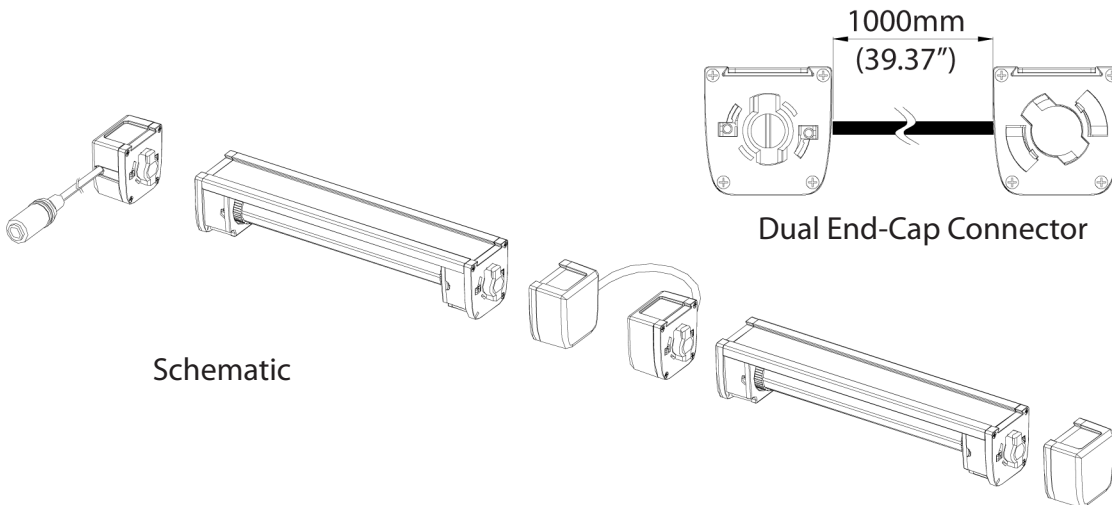
OPTIONAL ACCESSORIES:

End Cap Wire Extensions: (Not Included)

(1) Part No. EMTL1R1-010 Dual Endcaps with 100mm Wire Extension



(1) Part No. EMTL1R1-100 Dual Endcaps with 1000mm Wire Extension

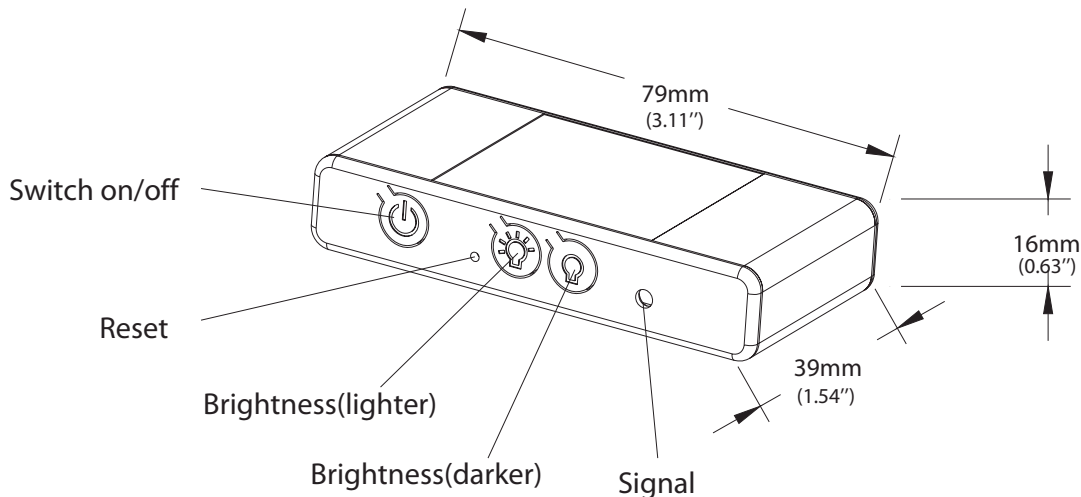




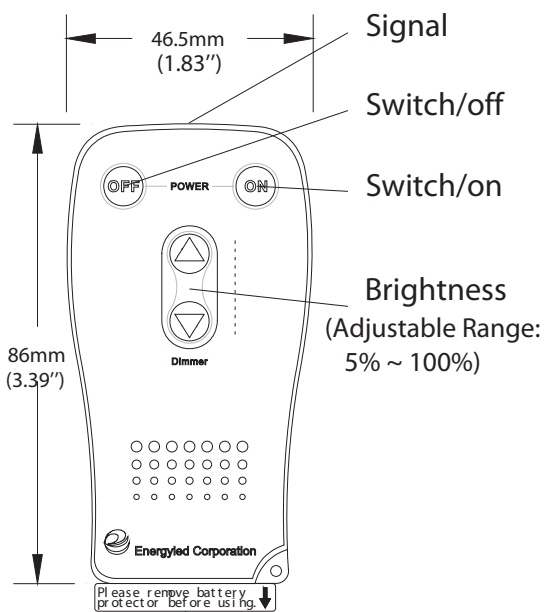
12V LED Extendlite Colors

OPTIONAL ACCESSORIES - DIMMER KIT (EA2024-01) SOLD SEPARATELY

Front of the Remote Receiver

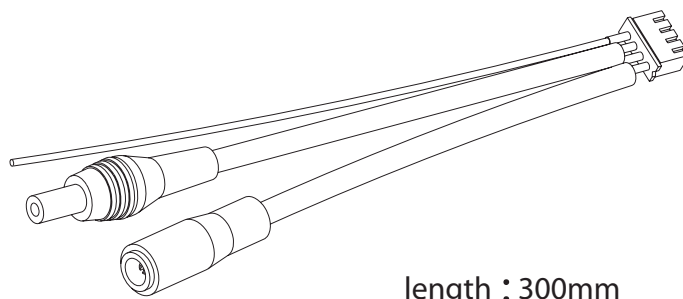


Wireless Remote Controller



Please remove battery protector before using.

Connecting Wires



length : 300mm (11.8")

Specs:

- (1) Receiving Distance: 15m (49.21')
- (2) Maximum Output Power 36W (12V)
- (3) Battery: 3V Lithium Battery (Included)



12V LED Extendlite Colors

OPTIONAL ACCESSORIES - DIMMER KIT (EA2024-01) SOLD SEPARATELY

Dimmer Installation Configuration:

