



24V LED Extendlite Colors

FEATURES

- Available with Clear or Diffused Lens
- Multiple mounting options
- LED Tube is adjustable
- End-cap on/off switch
- Available in 15cm (5.9") & 30cm (11.8") lengths
- Available in multiple color temperatures
- Can be dimmed using Marktech dimmer EA2024-01

BENEFITS

- Immediate power savings
- Easy to assemble
- Quick connect sections to create a desired fixture length
- No environmentally hazardous materials

APPLICATIONS

- Shelf Lighting
- Display Cases
- Cabinet Lighting
- Kitchen Task Lighting
- Decorative Lighting

SPECIFICATIONS

Part Number	Description	Voltage	Watts	Viewing Angle (per LED)	Lumens (lm)	Rated Life* (hours)	Wavelength	Length (in.)
EA5KA115C	Amber Extendlite ≈ 6"	24V	2.592	120°	20	50,000	605nm	5.9
EA5KB315C	Blue Extendlite ≈ 6"	24V	2.592	120°	15	50,000	470nm	5.9
EA5KG915C	Green Extendlite ≈ 6"	24V	2.592	120°	80	50,000	525nm	5.9
EA5KR115C	Red Extendlite ≈ 6"	24V	2.592	120°	15	50,000	630nm	5.9
EA5KY115C	Yellow Extendlite ≈ 6"	24V	2.592	120°	20	50,000	590nm	5.9
EA5KA130C	Amber Extendlite ≈ 12"	24V	6.048	120°	50	50,000	605nm	11.8
EA5KB330C	Blue Extendlite ≈ 12"	24V	6.048	120°	40	50,000	470nm	11.8
EA5KG930C	Green Extendlite ≈ 12"	24V	6.048	120°	190	50,000	525nm	11.8
EA5KR130C	Red Extendlite ≈ 12"	24V	6.048	120°	40	50,000	630nm	11.8
EA5KY130C	Yellow Extendlite ≈ 12"	24V	6.048	120°	50	50,000	590nm	11.8

*Panoptics Lamp Life rating is based on LED source data



Dimmable!



To purchase this product visit
www.panopticslighting.com
 or call 518-406-8065 to speak to a
 Panoptics sales representative.

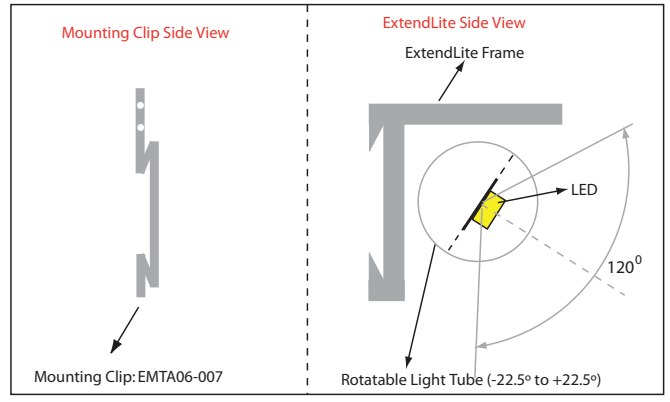
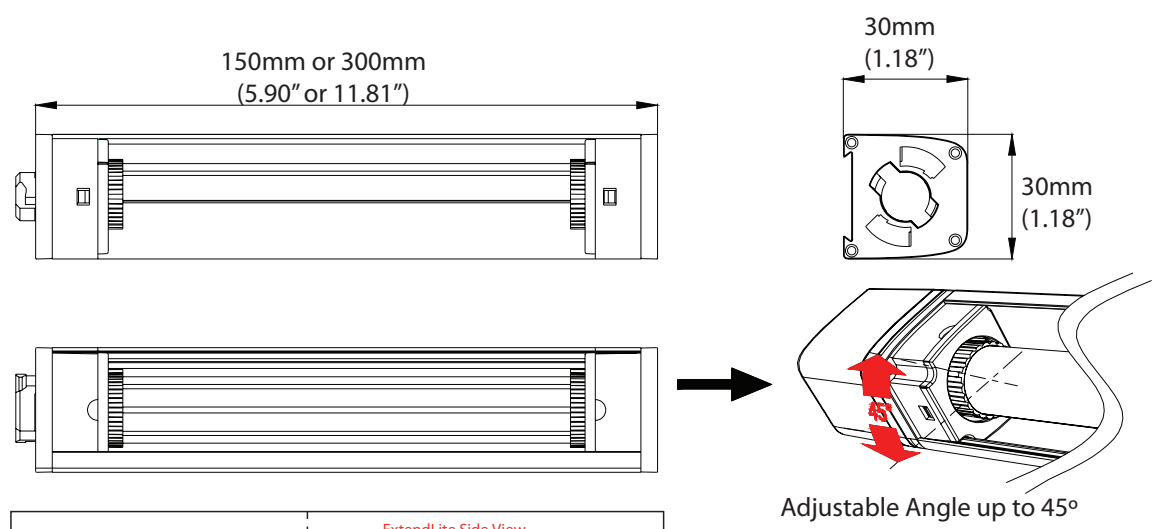


24V LED Extendlite Colors

ABSOLUTE MAXIMUM RATINGS (Ta = 25°C)

Parameter	Symbol	Rating	Unit
Operating Temperature	Topr.	-20 to +40	°C
Storage Temperature	Tstg.	-30 to +60	°C

Dimensions:



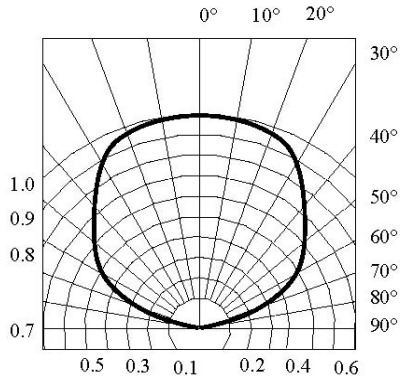
1. All dimensions are in mm (inches)
2. Tolerance is ±0.5mm (0.02") unless otherwise noted



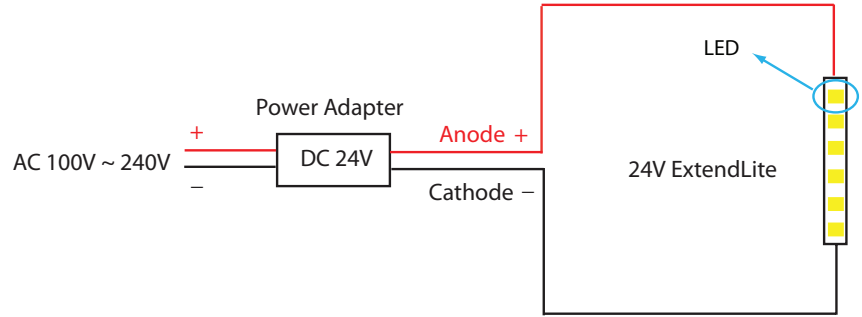
24V LED Extendlite Colors

DIAGRAMS:

Viewing Angle:



Circuit Diagram:



SUGGESTED POWER ADAPTERS FOR:

24V, 150mm (5.90") Extendlites:

Number of Extendlites	1 to 5	6 to 8	9 to 10
Suggested Power Adapter	15W / 24V / 0.62A	25W / 24V / 1.04A	148W / 24V / 2A
Power Adapter Part Number	EP101524AJ-01(EX)	EP102524AJ-01(EX)	EP104824CJ-01(EX)

24V, 300mm (11.81") Extendlites:

Number of Extendlites	1 to 2	3	4 to 7
Suggested Power Adapter	15W / 24V / 0.62A	25W / 24V / 1.04A	148W / 24V / 2A
Power Adapter Part Number	EP101524AJ-01(EX)	EP102524AJ-01(EX)	EP104824CJ-01(EX)

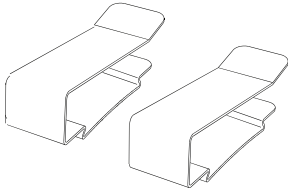


24V LED Extendlite Colors

ACCESSORIES:

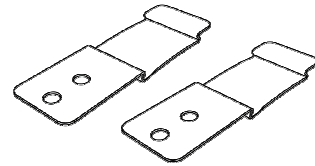
Mounting Clips:

(1) EMTA06-001 (Included)



For Glass Case

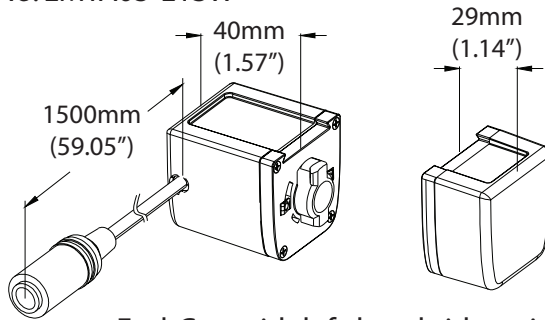
(2) EMTA06-007 (Included)



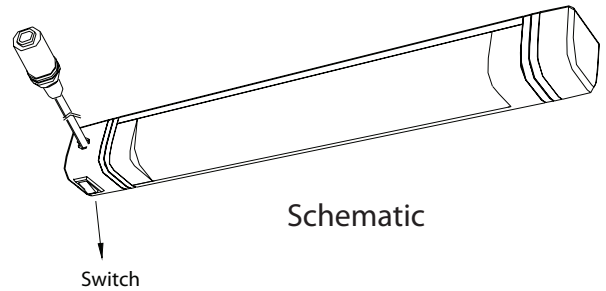
For Wood Case

End Caps: (End Caps are required for the Extendlites to work!) (Not Included)

(1) Part No. EMTA05-L1SW

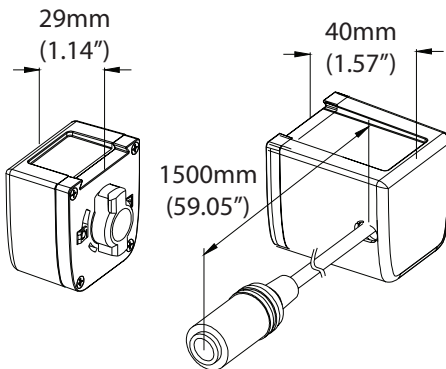


End-Cap with left-hand side switch

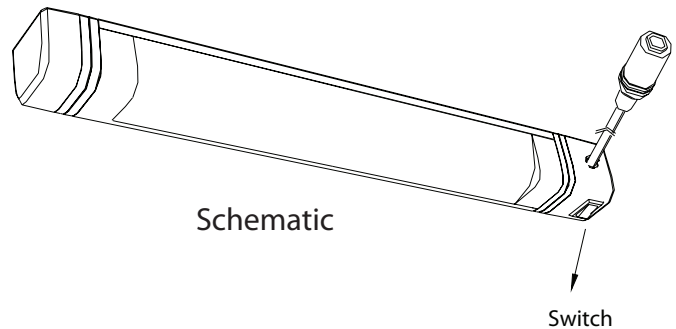


Schematic

(2) Part No. EMTA05-R1SW



End-Cap with right-hand side switch



Schematic

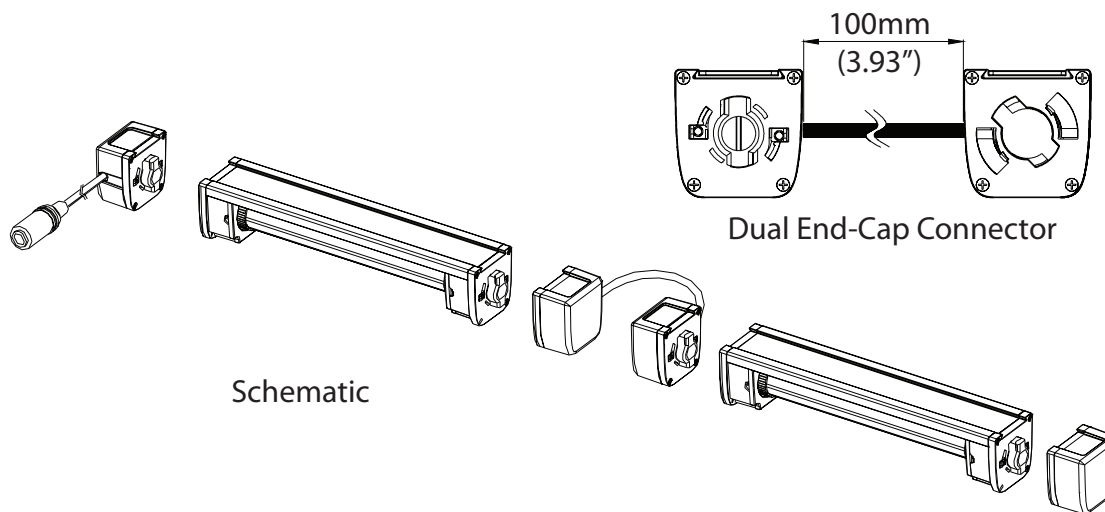


24V LED Extendlite Colors

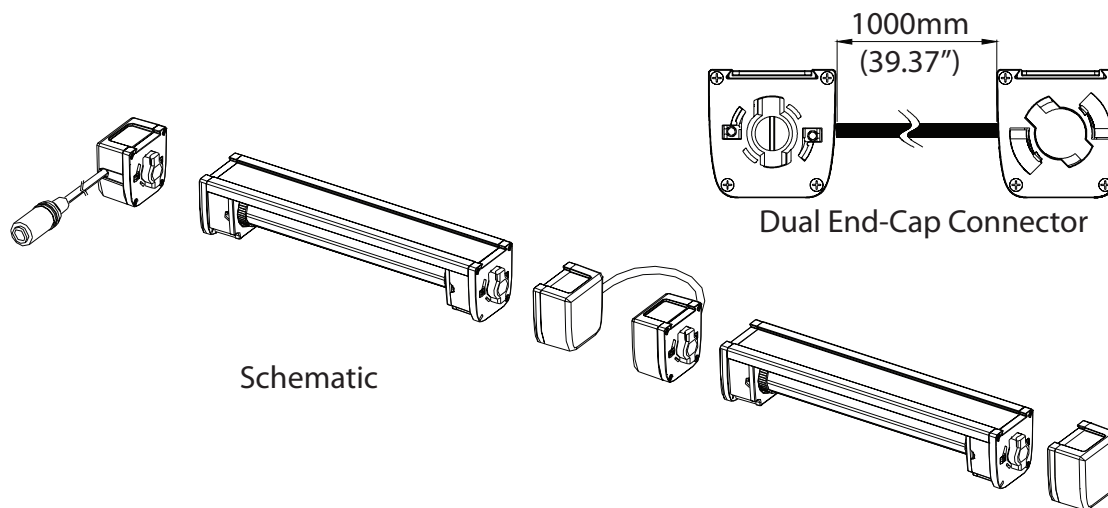
OPTIONAL ACCESSORIES:

End Cap Wire Extensions: (Not Included)

(1) Part No. EMTL1R1-010 Dual End-Caps with 100mm Wire Extension



(2) Part No. EMTL1R1-100 Dual End-Caps with 1000mm Wire Extension

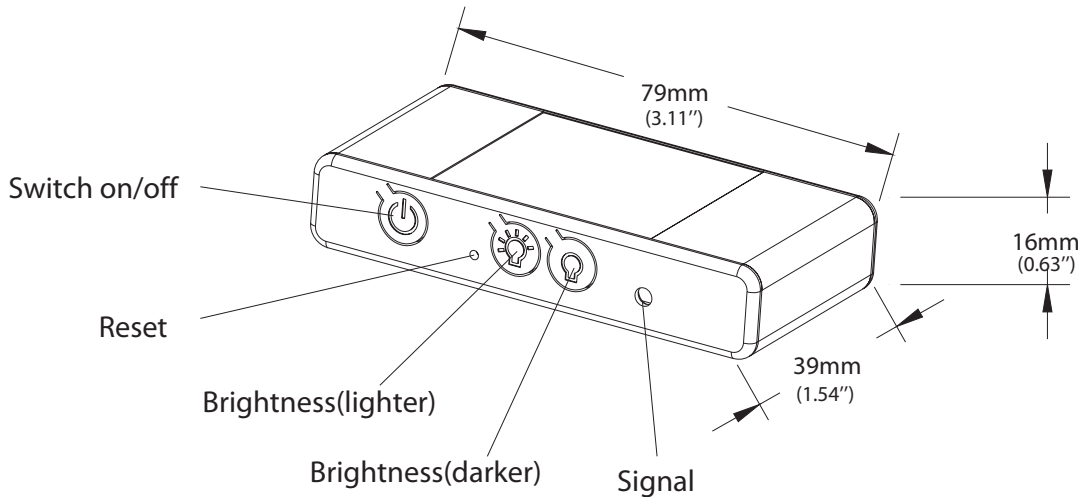




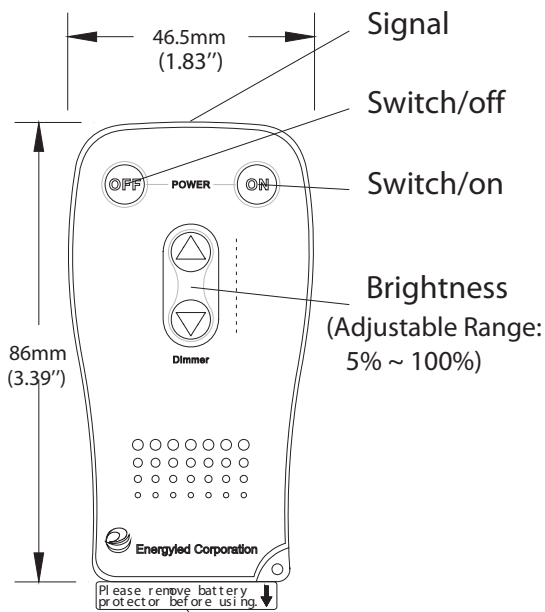
24V LED Extendlite Colors

OPTIONAL ACCESSORIES - DIMMER KIT (EA2024-01) SOLD SEPARATELY

Front of the Remote Receiver

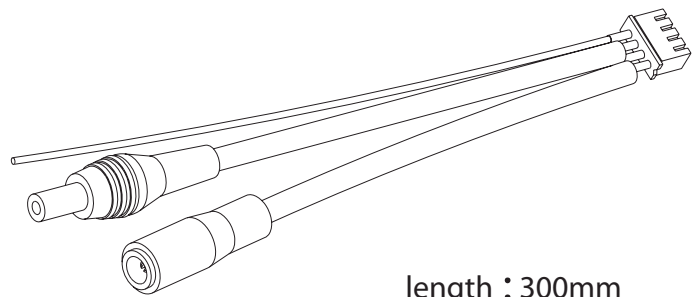


Wireless Remote Controller



Please remove battery protector before using.

Connecting Wires



length : 300mm (11.8")

Specs:

- (1) Receiving Distance: 15m (49.21')
- (2) Maximum Output Power: 72W (24V)
- (3) Battery: 3V Lithium Battery (Included)



24V LED Extendlite Colors

OPTIONAL ACCESSORIES - DIMMER KIT (EA2024-01) SOLD SEPARATELY

Dimmer Installation Configuration:

