



Flexible LED Strips

FEATURES

- Available in Sideview or Topview SMD
- Strip is flexible and cuttable every 3 LEDs
- Available in 1 meter (39.37") sections
- End-to-end connections for linear applications
- Available in multiple wavelengths and color temperatures
- Can be dimmed using Marktech dimmer EA2024-01

BENEFITS

- Immediate power savings
- Easy mounting and assembly
- Quick connect end-to-end sections
- No environmentally hazardous materials

APPLICATIONS

- Shelf Lighting
- Display Cases
- Cabinet Lighting
- Accent Lighting
- Decorative Lighting

SPECIFICATIONS

Part Number	Description	Voltage	Watts	Viewing Angle (per LED)	Luminous Intensity (per LED)	Rated Life* (hours)	CCT / Wavelength	Length (in.)
MTSL100TV-B	Blue Topview Flex LED Strip	12V	3.84	120°	150mcd	50,000	465nm	39.37
MTSL100TV-G	Green Topview Flex LED Strip	12V	3.84	120°	750mcd	50,000	520nm	39.37
MTSL100TV-R	Red Topview Flex LED Strip	12V	3.84	120°	400mcd	50,000	625nm	39.37
MTSL100TV-WR	Warm White Topview Flex LED Strip	12V	3.84	120°	900mcd	50,000	2900K	39.37
MTSL100TV-W	White Topview Flex LED Strip	12V	3.84	120°	1500mcd	50,000	6500K	39.37
MTSL100TV-Y	Yellow Topview Flex LED Strip	12V	3.84	120°	490mcd	50,000	591nm	39.37
MTSL100SV-B	Blue Sideview Flex LED Strip	12V	3.84	120°	140mcd	50,000	465nm	39.37
MTSL100SV-G	Green Sideview Flex LED Strip	12V	3.84	120°	700mcd	50,000	520nm	39.37
MTSL100SV-R	Red Sideview Flex LED Strip	12V	3.84	120°	300mcd	50,000	625nm	39.37
MTSL100SV-WR	Warm White Sideview Flex LED Strip	12V	3.84	120°	850mcd	50,000	2900K	39.37
MTSL100SV-W	White Sideview Flex LED Strip	12V	3.84	120°	950mcd	50,000	6500K	39.37
MTSL100SV-Y	Yellow Sideview Flex LED Strip	12V	3.84	120°	270mcd	50,000	591nm	39.37

*Panoptics Lamp Life rating is based on LED source data



Dimmable!

3 YEAR LIMITED WARRANTY



GREEN LIGHTING PRODUCT

To purchase this product visit www.panopticslighting.com or call 518-406-8065 to speak to a Panoptics sales representative.



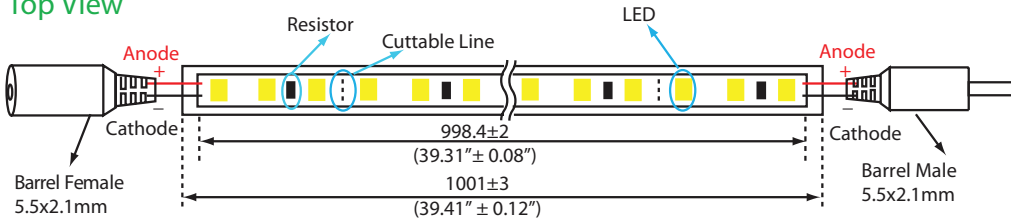
Flexible LED Strips

ABSOLUTE MAXIMUM RATINGS (Ta = 25°C)

Parameter	Symbol	Rating	Unit
Operating Temperature	Topr.	-25 to +85	°C
Storage Temperature	Tstg.	-40 to +100	°C
Electro Statoc Discharge	ESD	6000	V
Soldering Temperature (1.5mm from body)	Tsol	Dip Soldering: 260°C for 5 sec. Hand Soldering: 350°C for 3 sec.	

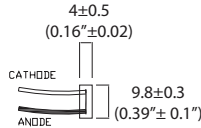
Dimensions:

Top View

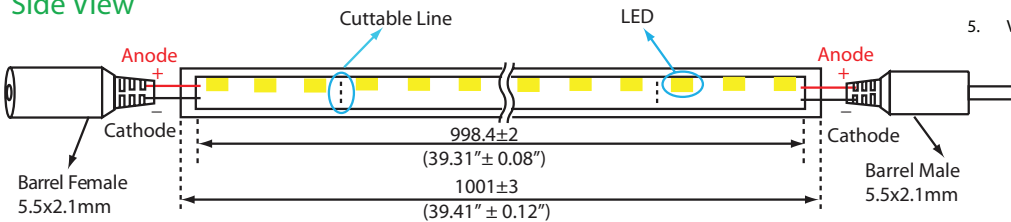


1. All dimensions are in millimeters (inches)
2. Tolerance is ± 0.5 mm (0.02") unless otherwise noted
3. One strip connected by 3 Units and every 3 SMDs can be cut
4. 96 LEDs per strip (cuttable in sections of 3 LEDs each)
5. Voltage supply: 12 VDC

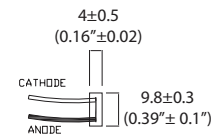
Plastic Tube End Side View :



Side View



Plastic Tube End Side View :



MOUNTING OPTIONS (NOT INCLUDED):

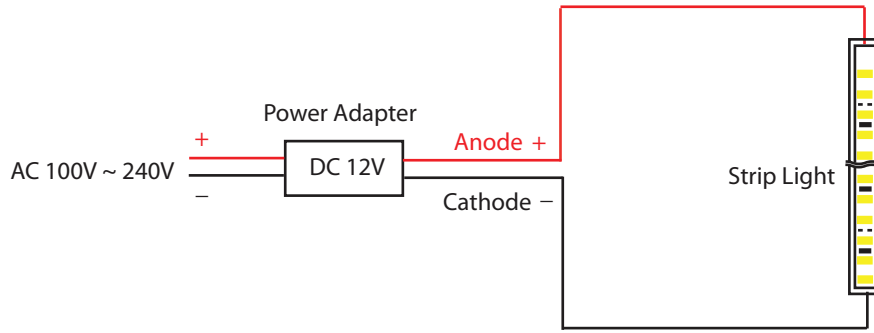
- Superglue
- Adhesive Tape
- Mounting Rail
- Mounting Clip



Flexible LED Strips

DIAGRAMS:

Circuit Diagram:



SUGGESTED POWER ADAPTER FOR FLEXIBLE LIGHT STRIP APPLICATIONS:

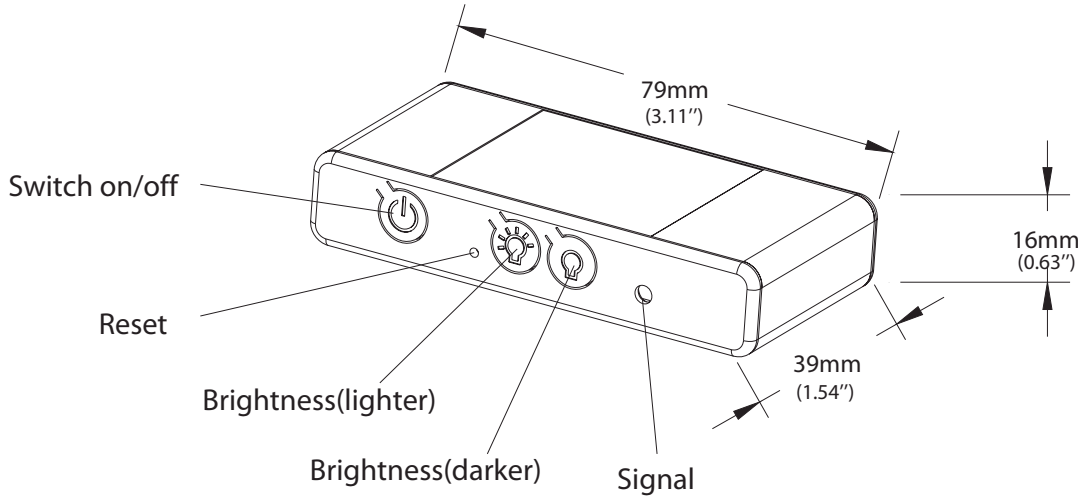
Length*	From 0 to 4.1'	From 4.1' to 8.2'	from 8.2' to 16.4'
Suggested Power Adapter	6W / 12V / 0.5A	12W / 12V / 1A	24W / 12V / 2A
Power Adapter Part Number	MTPS-0015	MTPS-0020	MTPS-0025
Voltage	12V	12V	12V
Current	Up to 400mA	up to 800mA	up to 1600mA
Cuttable Sections - 3 LEDs ea.	from 0 to 40	from 40 to 80	from 80 to 160



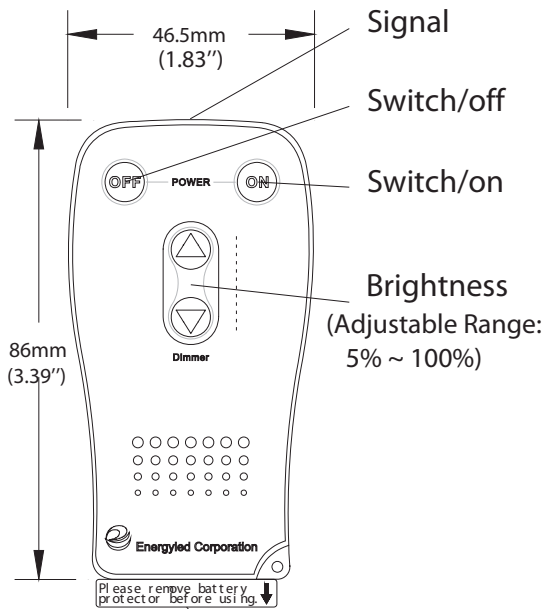
Flexible LED Strips

OPTIONAL ACCESSORIES - DIMMER KIT (EA2024-01) SOLD SEPARATELY

Front of the Remote Receiver

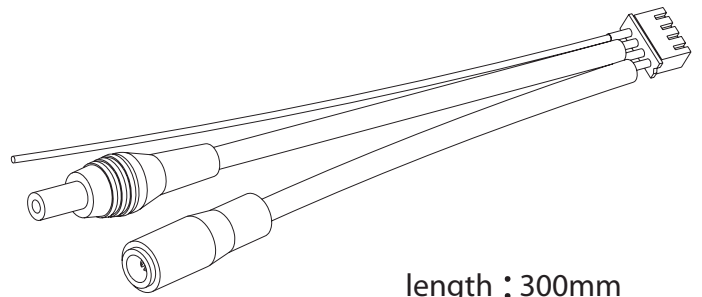


Wireless Remote Controller



Please remove battery protector before using.

Connecting Wires



length : 300mm (11.8")

Specs:

- (1) Receiving Distance: 15m (49.21')
- (2) Maximum Output Power 36W (12V)
- (3) Battery: 3V Lithium Battery (Included)



Flexible LED Strips

OPTIONAL ACCESSORIES - DIMMER KIT (EA2024-01) SOLD SEPARATELY

Dimmer Installation for Configuration:

