

Panoptics LED Light Kits

for Coolers & Freezers

Kit Includes:

- LED Light Tubes (2ft-6ft Lengths Available)
- Transformers (Powers 4 Lights Each)
- Mounting Hardware
- Wire Harnesses

Benefits

- Cut Energy Costs by 50-80%
- Lamp Lifetime 50,000 hrs (Lasts 11.4 years at 12hrs/day)
- Eliminate Expensive Ballasts and Replacement Lamps
- Reduce Heat (Lowers Compressor Load)
- Bright Uniform Lighting

Features

- Easy Install / Retrofit
- Clear or Frosted Lens Option
- Shatter-Proof Lamps (No Glass Breakage)
- One-Stop Package: Includes Everything
- Environmentally Friendly (No Mercury)

Applications

- Reach-In Coolers / Freezers
- Walk-In Coolers / Freezers
- Multi-Deck Cases
- Bakery Display Cases
- Meat Coolers
- Industrial / Medical Refrigeration

Easy Installation

1. Remove Old Ballast and Lamps
2. Install our 24v Transformer
3. Install Mounting Clips to Doors
4. Snap LED Lamps into Mounting Clips
5. Connect Transformer to Lights w/ Wire Harness



LED Light Kits

PART NUMBERS (4 Foot)

4 Foot Kit Part Numbers

| Cooler/Freezer Type | Part No. | # of Lights | Transformers | Tube Length |
|---------------------|-------------|-------------|--------------|-------------|
| 1 Door | 1D-KIT-4FT | 2 | 1 | 4FT |
| 2 Door | 2D-KIT-4FT | 3 | 1 | 4FT |
| 3 Door | 3D-KIT-4FT | 4 | 1 | 4FT |
| 4 Door | 4D-KIT-4FT | 5 | 2 | 4FT |
| 5 Door | 5D-KIT-4FT | 6 | 2 | 4FT |
| 6 Door | 6D-KIT-4FT | 7 | 2 | 4FT |
| 7 Door | 7D-KIT-4FT | 8 | 2 | 4FT |
| 8 Door | 8D-KIT-4FT | 9 | 3 | 4FT |
| 9 Door | 9D-KIT-4FT | 10 | 3 | 4FT |
| 10 Door | 10D-KIT-4FT | 11 | 3 | 4FT |
| 11 Door | 11D-KIT-4FT | 12 | 3 | 4FT |
| 12 Door | 12D-KIT-4FT | 13 | 4 | 4FT |
| 13 Door | 13D-KIT-4FT | 14 | 4 | 4FT |
| 14 Door | 14D-KIT-4FT | 15 | 4 | 4FT |
| 15 Door | 15D-KIT-4FT | 16 | 4 | 4FT |

*Each Kit Includes Mounting Hardware and -Wire Harnesses

*Larger number door kits are available upon request.

4ft LED Tube

| Part No. | Lumens | Wattage | CCT | CRI | Light Angle | Lifespan | Voltage | Length |
|--------------|--------|---------|-------|-----|-------------|------------|---------|----------|
| E1B5KLYC7-S4 | 1200 | 16.4 | 4000K | 80 | 180° | 50,000 hrs | 24v/dc | 47.17 in |

Philips Xitanium Transformer

| Part No. | Output Power | Output Voltage | Input Voltage | IP Rating | Capable of Powering |
|----------------------|--------------|----------------|---------------|-----------|---------------------|
| LED-INTA-0024-41-F-0 | 100 Watts | 24 Volts | 100-277 | IP66 | (4) Four Foot Tubes |

LED Light Kits

PART NUMBERS (5 Foot)

5 Foot Kit Part Numbers

| Cooler/Freezer Type | Part No. | # of Lights | Transformers | Tube Length |
|---------------------|-------------|-------------|--------------|-------------|
| 1 Door | 1D-KIT-5FT | 2 | 1 | 5FT |
| 2 Door | 2D-KIT-5FT | 3 | 1 | 5FT |
| 3 Door | 3D-KIT-5FT | 4 | 1 | 5FT |
| 4 Door | 4D-KIT-5FT | 5 | 2 | 5FT |
| 5 Door | 5D-KIT-5FT | 6 | 2 | 5FT |
| 6 Door | 6D-KIT-5FT | 7 | 2 | 5FT |
| 7 Door | 7D-KIT-5FT | 8 | 2 | 5FT |
| 8 Door | 8D-KIT-5FT | 9 | 3 | 5FT |
| 9 Door | 9D-KIT-5FT | 10 | 3 | 5FT |
| 10 Door | 10D-KIT-5FT | 11 | 3 | 5FT |
| 11 Door | 11D-KIT-5FT | 12 | 3 | 5FT |
| 12 Door | 12D-KIT-5FT | 13 | 4 | 5FT |
| 13 Door | 13D-KIT-5FT | 14 | 4 | 5FT |
| 14 Door | 14D-KIT-5FT | 15 | 4 | 5FT |
| 15 Door | 15D-KIT-5FT | 16 | 4 | 5FT |

*Each Kit Includes Mounting Hardware and -Wire Harnesses

*Larger number door kits are available upon request.

5ft LED Tube

| Part No. | Lumens | Wattage | CCT | CRI | Light Angle | Lifespan | Voltage | Length |
|--------------|--------|---------|-------|-----|-------------|------------|---------|----------|
| E1B5KLYC7-S5 | 1500 | 19.2 | 4000K | 80 | 180° | 50,000 hrs | 24v/dc | 59.06 in |

Philips Xitanium Transformer

| Part No. | Output Power | Output Voltage | Input Voltage | IP Rating | Capable of Powering |
|----------------------|--------------|----------------|---------------|-----------|---------------------|
| LED-INTA-0024-41-F-0 | 100 Watts | 24 Volts | 100-277 | IP66 | (4) Five Foot Tubes |

LED Light Kits

PART NUMBERS (6 Foot)

6 Foot Kit Part Numbers

| Cooler/Freezer Type | Part No. | # of Lights | Transformers | Tube Length |
|---------------------|-------------|-------------|--------------|-------------|
| 1 Door | 1D-KIT-6FT | 2 | 1 | 6FT |
| 2 Door | 2D-KIT-6FT | 3 | 1 | 6FT |
| 3 Door | 3D-KIT-6FT | 4 | 2 | 6FT |
| 4 Door | 4D-KIT-6FT | 5 | 2 | 6FT |
| 5 Door | 5D-KIT-6FT | 6 | 2 | 6FT |
| 6 Door | 6D-KIT-6FT | 7 | 3 | 6FT |
| 7 Door | 7D-KIT-6FT | 8 | 3 | 6FT |
| 8 Door | 8D-KIT-6FT | 9 | 3 | 6FT |
| 9 Door | 9D-KIT-6FT | 10 | 4 | 6FT |
| 10 Door | 10D-KIT-6FT | 11 | 4 | 6FT |
| 11 Door | 11D-KIT-6FT | 12 | 4 | 6FT |
| 12 Door | 12D-KIT-6FT | 13 | 5 | 6FT |
| 13 Door | 13D-KIT-6FT | 14 | 5 | 6FT |
| 14 Door | 14D-KIT-6FT | 15 | 5 | 6FT |
| 15 Door | 15D-KIT-6FT | 16 | 6 | 6FT |

*Each Kit Includes Mounting Hardware and 3-Wire Harnesses

*Larger number door kits are available upon request.

6ft LED Tube

| Part No. | Lumens | Wattage | CCT | CRI | Light Angle | Lifespan | Voltage | Length |
|--------------|--------|---------|-------|-----|-------------|------------|---------|----------|
| E1B5KLYC7-S6 | 1800 | 24.4 | 4000K | 80 | 180° | 50,000 hrs | 24v/dc | 72.00 in |

Philips Xitanium Transformer

| Part No. | Output Power | Output Voltage | Input Voltage | IP Rating | Capable of Powering |
|----------------------|--------------|----------------|---------------|-----------|---------------------|
| LED-INTA-0024-41-F-0 | 100 Watts | 24 Volts | 100-277 | IP66 | (3) Six Foot Tubes |

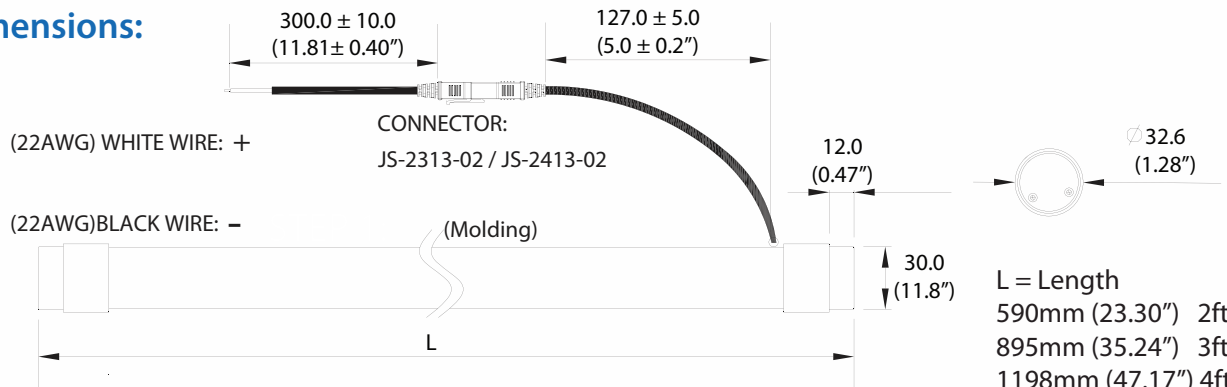
LED Light Kits

Light Tube Specifications

ABSOLUTE MAXIMUM RATINGS (Ta = 25°C)

| Parameter | Symbol | ° C Rating | ° F Rating |
|-----------------------|--------|-------------|--------------|
| Operating Temperature | Topr. | -20° to 40° | -4° to 104° |
| Storage Temperature | Tstg. | -30° to 60° | -22° to 140° |

Dimensions:

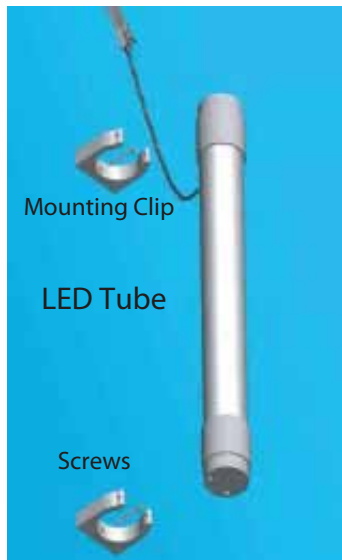


1. All dimensions are in millimeters (inches).
2. Tolerance is +/- 0.5 mm (0.02 inch) unless otherwise noted.

L = Length
 590mm (23.30") 2ft Tube
 895mm (35.24") 3ft Tube
 1198mm (47.17") 4ft Tube
 1500mm (59.06") 5ft Tube
 1829mm (72.00") 6ft Tube

MOUNTING: 2 Mounting Clips and Screws (Included)

STEP 1:



STEP 2:



MOUNTING CLIP



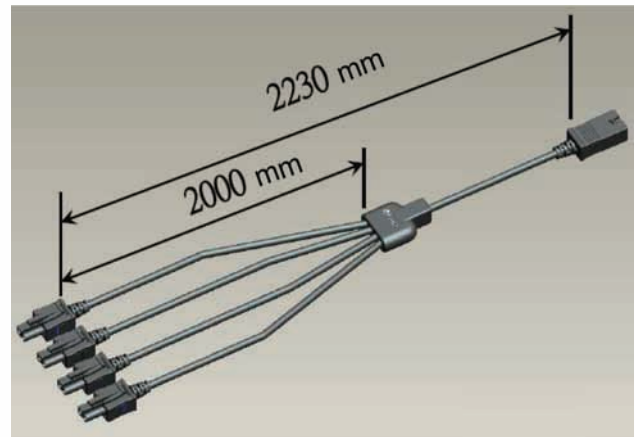
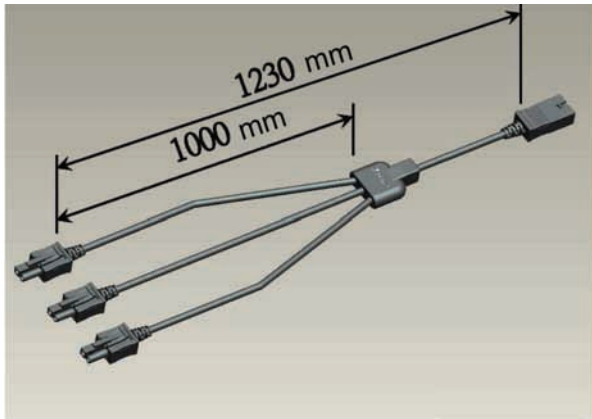
Length = 1.50" in
 Height = 1.38" in
 Width = 0.625" in

LED Light Kits

Wire Harness Specifications

Wire Harness System

- Wire harnesses are connected to the transformer and then clip in to one side of each lamp



3-Wire Harness

- Comes with all 6ft Lamp Kits
- Connects to Transformer and plugs in to Lamps
- Wires 3 Lamps

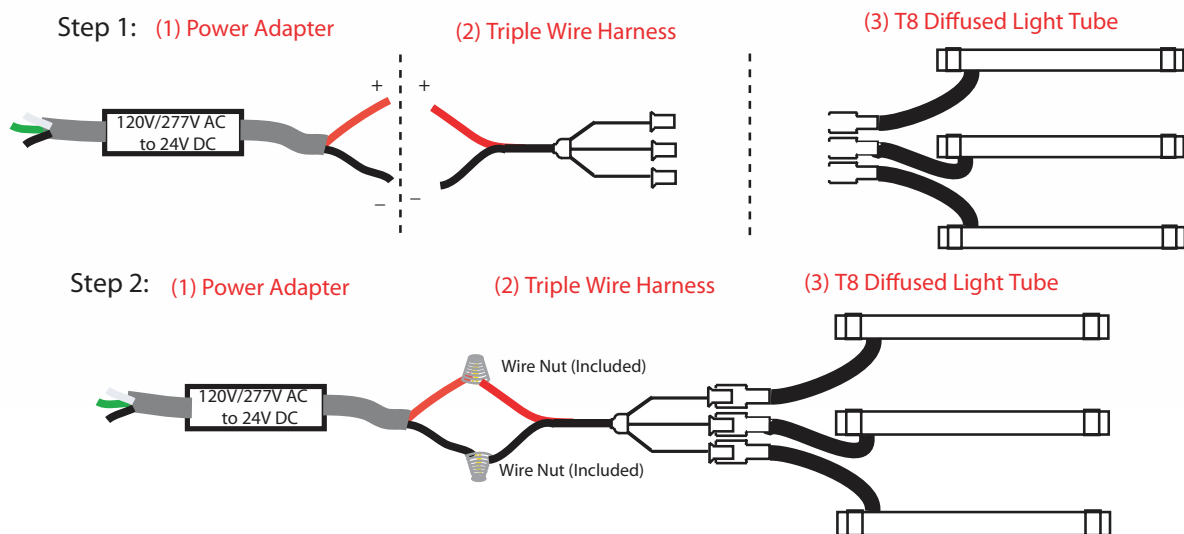
1230mm = 49.2 inches
1000mm = 40 inches

4-Wire Harness

- Comes with all 2-5ft Lamp Kits
- Connects to Transformer and plugs in to Lamps
- Wires 4 Lamps

2230mm = 89.2 inches
2000mm = 80 inches

Wiring Configuration:



LED Light Kits

Transformer Specifications

PHILIPS ADVANCE

- Each transformer powers up to (3) 6ft Lamps
- Each transformer powers up to (4) 2ft-5ft Lamps
- Replaces Traditional Fluorescent Ballast
- Wire nuts included

| LED-INTA-0024V-4I-F-O | |
|------------------------------|---------------|
| Brand Name | XITANIUM |
| Description | 100W 24V 4.1A |
| Input Voltage | 120~277 |
| Input Frequency | 50/60Hz |
| RoHS | Yes |
| Status | Active |



UL Class 2
E220165



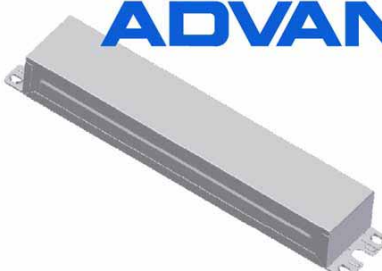
7310_S-000
3426-32



| Output Power (W) | Output Voltage (V) | Output Current (A) | Tcase Max | Input Current (A) | Max. Input Power (W) | Inrush Current (A _{pk} /μs) | Max. THD (%) | Min. Power Factor | Surge Protection (KV) | Weight (Lbs) | IP Rating |
|------------------|--------------------|--------------------|-----------|------------------------|----------------------|--------------------------------------|--------------|-------------------|-----------------------|--------------|-----------|
| 100 | 24 | 0.10~4.16 | 90°C | 0.95@120V 0.40@277V | 117 | 100/200 | 20 | 0.90 | 4.0 | 1.4/635 | IP66 |

Dimensions:

Enclosure PHILIPS ADVANCE



| | in. (mm) |
|------------------------|---------------------|
| Case Length | 8.34 (211.8) |
| Case Width | 1.76 (42.5) |
| Case Height | 1.1 (27.9) |
| Mounting Length | 8.99 (228.4) |
| Mounting Width | 1.22 (30.9) |
| Overall Length | 9.45 (240) |

LED Light Kits

Installation Instructions Part 1

1. Disconnect power from cooler system

For safety, all power **MUST** be disconnected prior to removal of existing lamps and installation of T8 LED light tubes.

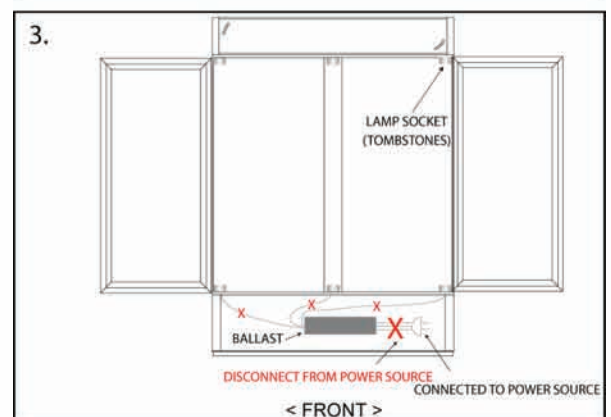
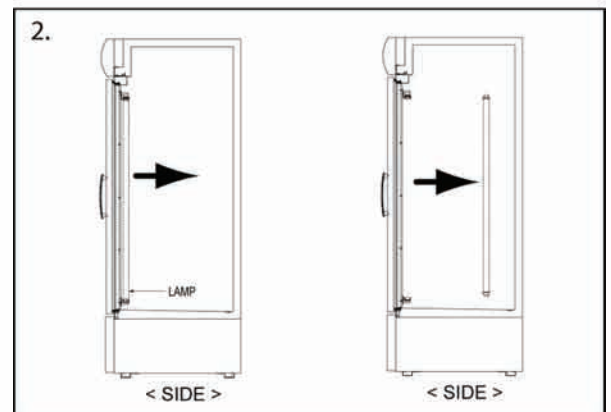
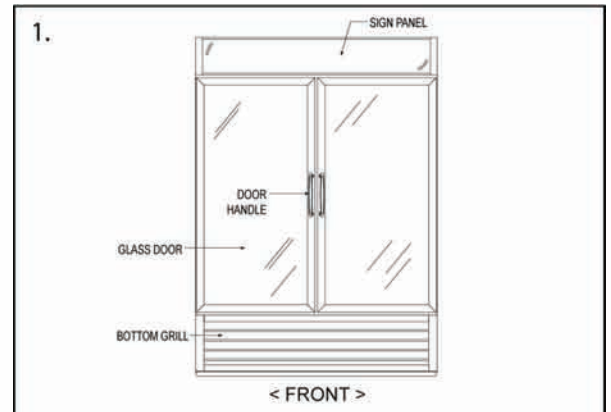
WARNING: Failure to disconnect power could result in serious injury or death. It is the end user's responsibility to consult a licensed electrician and check all local building codes before installation.

2. Remove existing lamps.

Remove lamp covers if present and remove lamps. Your new T8 lights are shatter proof, you will no longer require the lamp covers.

3. Disconnect Ballast.

Disconnect wiring from the power source. Ballast removal is optional. Disconnect wiring to original lamp sockets and tie off. None of the existing system will be used, so removal is optional.

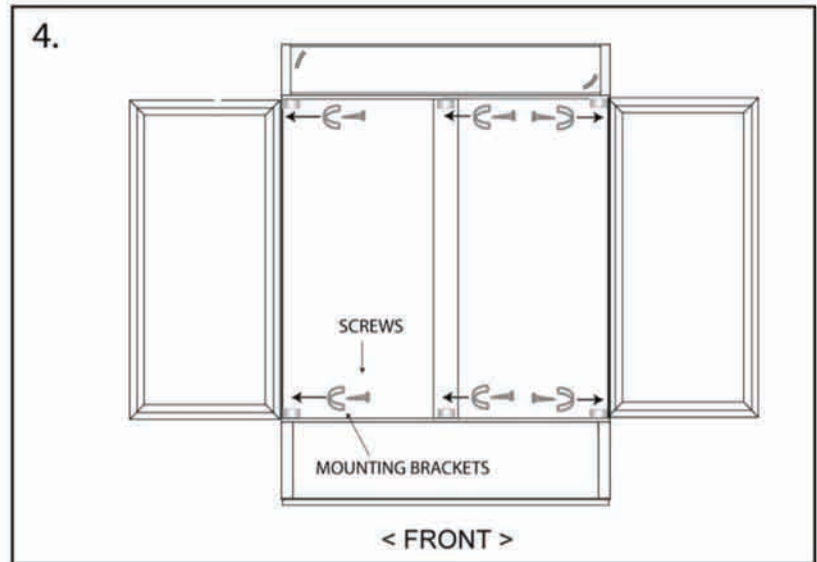


LED Light Kits

Installation Instructions Part 2

4. Install Mounting Brackets

Use self tapping screws to mount the mounting brackets (both supplied). In some cases drilling a pilot hole will make the installation easier. Each mounting bracket can be placed inside of the existing sockets (tombstones). Installations using 5 foot tubes, includes a third bracket, and can be mounted in the center for additional support if desired.



5. Install T8 Led Tubes

Install the T8 lamps into the new mounting brackets. Your kit came with a 3 or 4 wire harness based upon the number of lamps you are installing. 20 feet or 4 lamps is the maximum for each transformer being installed. Disconnect the single wire from each tube. Using the wire harness connect each tube. Take one single wire previously removed and wire cap it to the 24V DC connection on the transformer. Connect the wire harness. Connect the 120V wires to the source using wire caps. Power the Unit.

