



LED PAR20 Colors

FEATURES

- 50° beam angle
- E26 Base
- Direct replacement of PAR20 incandescent
- Available in multiple wavelengths and color temperatures
- Voltage: 100~240VAC

BENEFITS

- Immediate power savings - 4.6W vs. 40W average
- Low temperature reduces load on air conditioning
- Easily replaces inefficient incandescent
- Eliminates maintenance and reduces costs
- No warm-up time, instant-on with full light output and stable color
- No environmentally hazardous materials
- Shock and vibration resistant

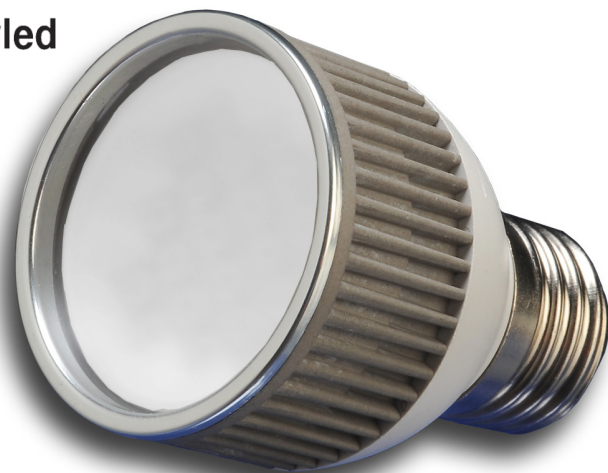
APPLICATIONS

- Hotels
- Retail Displays
- Display Cases
- Elevators
- Spotlighting

SPECIFICATIONS

Part Number	Description	Watts	Beam Angle	Lumens (lm)	Rated Life* (hours)	CCT / Wavelength	MOL (in.)	Diameter (in.)
E1B426	Blue LED PAR20	4.6	50°	38	50,000	465nm	2.95	1.97
E1G426	Green LED PAR20	4.6	50°	152	50,000	520nm	2.95	1.97
E1Y426	Yellow LED PAR20	4.6	50°	58	50,000	590nm	2.95	1.97
E1R426	Red LED PAR20	4.6	50°	58	50,000	628nm	2.95	1.97

*Panoptics LED PAR20 Lamp Life rating is based on LED source data



3 YEAR LIMITED WARRANTY



GREEN LIGHTING PRODUCT



To purchase this product visit www.panopticslighting.com or call 518-406-8065 to speak to a Panoptics sales representative.

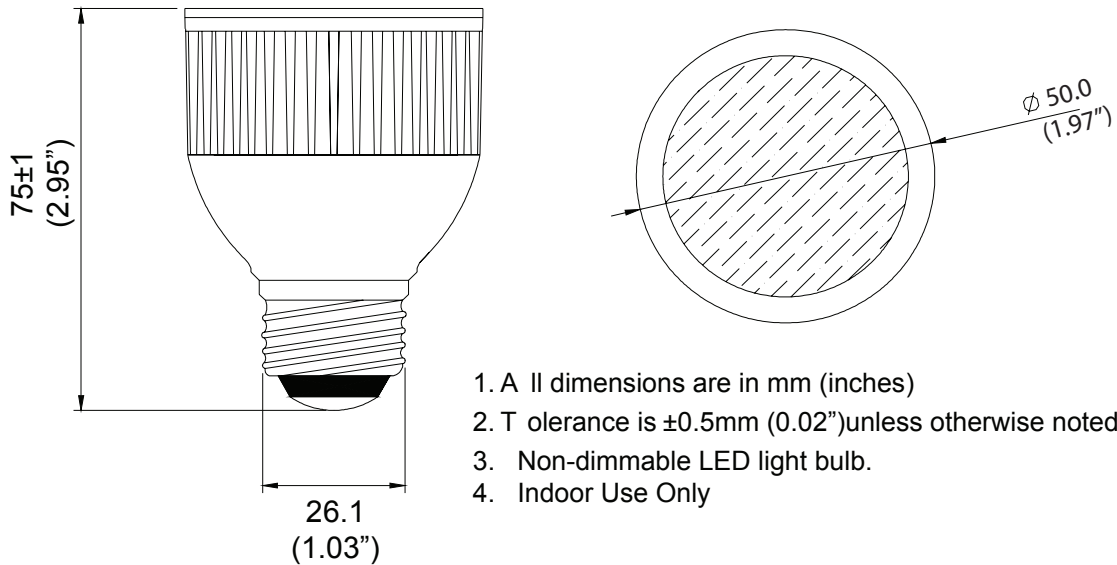


LED PAR20 Colors

ABSOLUTE MAXIMUM RATINGS (Ta = 25°C)

Parameter	Symbol	Rating	Unit
Power Dissipation	PD	4.6	W
D.C. Forward Current	IF	40	mA
Operating Temperature	Topr.	0 to +40	°C
Storage Temperature	Tstg.	-30 to +60	°C
Electric Static Discharge Thresholds (HBM)	ESD	6000	V

Dimensions:



Circuit

