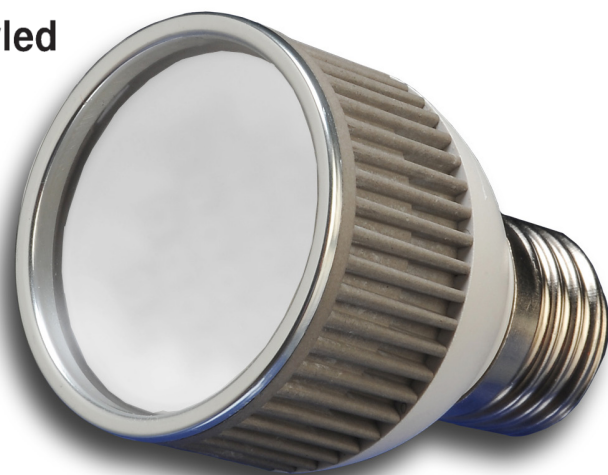




# LED PAR20 Lamps

## FEATURES

- 50° beam angle
- E26 Base
- Available with high CRI
- Direct replacement of PAR20 incandescent
- Available in multiple wavelengths and color temperatures
- Voltage: 100~240VAC



## BENEFITS

- Immediate power savings - 4.6W vs. 40W average
- Low temperature reduces load on air conditioning
- Easily replaces inefficient incandescent
- Eliminates maintenance and reduces costs
- No warm-up time, instant-on with full light output and stable color
- No environmentally hazardous materials
- Shock and vibration resistant

## APPLICATIONS

- Hotels
- Retail Displays
- Display Cases
- Elevators
- Spotlighting

## SPECIFICATIONS

Part Number	Description	Watts	CBCP (cd)	Beam Angle	Lumens (lm)	Rated Life* (hours)	CRI	CCT / Wavelength	MOL (in.)	Diameter (in.)
E5F426	Full Spect White LED PAR20	4.6	--	50°	85	50,000	94	5200K	2.95	1.97
E3W426	Warm White LED PAR20	4.6	90	50°	260	50,000	80	2800K	2.95	1.97
E6W426	White LED PAR20	4.6	110	50°	300	50,000	80	6000K	2.95	1.97

\*Panoptics Lamp Life rating is based on LED source data



To purchase this product visit [www.panopticslighting.com](http://www.panopticslighting.com) or call 518-406-8065 to speak to a Panoptics sales representative.

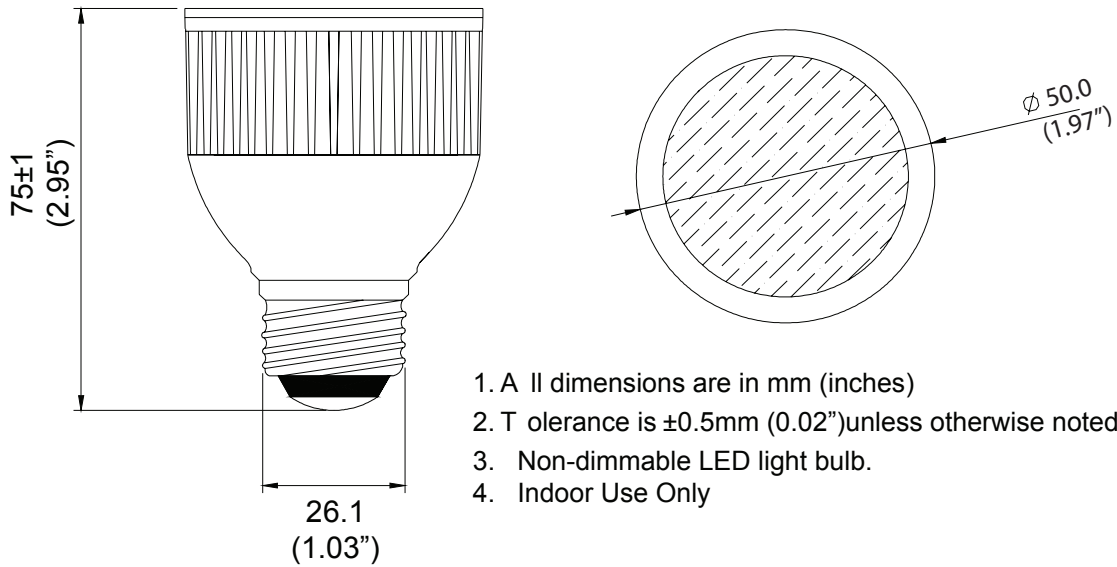


# LED PAR20 Lamps

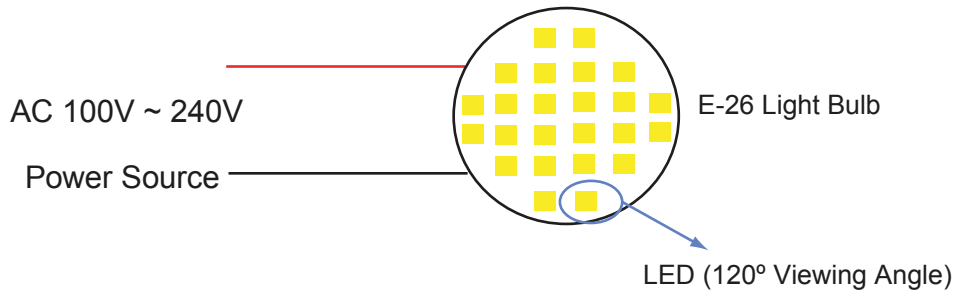
## ABSOLUTE MAXIMUM RATINGS (Ta = 25°C)

Parameter	Symbol	Rating	Unit
Power Dissipation	PD	4.6	W
D.C. Forward Current	IF	40	mA
Operating Temperature	Topr.	0 to +40	°C
Storage Temperature	Tstg.	-30 to +60	°C
Electric Static Discharge Thresholds (HBM)	ESD	6000	V

### Dimensions:



### Circuit





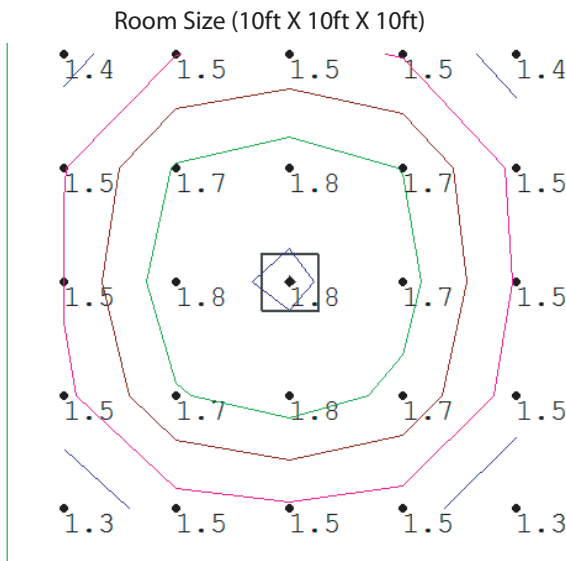
# LED PAR20 Lamps

## IES FILES:

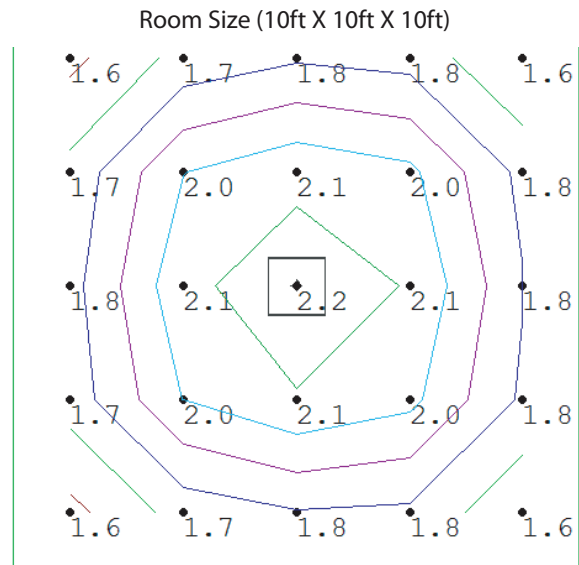
Warm White PAR 20 LED Light Bulb  
(Part NO: E3W426)



White PAR 20 LED Light Bulb  
(Part NO E6W426)



Room Floor Light Distribution (Unit: Foot Candle)



Room Floor Light Distribution (Unit: Foot Candle)