



T5 60° LED Light Tube

FEATURES

- Available in ≈1' - 5' lengths
- Multiple hardware mounting options
- Can be dimmed using Marktech dimmer EA2024-01

BENEFITS

- Immediate power savings
- Low heat emission reduces load on cooling
- Eliminates maintenance and reduces costs
- Improves product visibility
- No environmentally hazardous materials

APPLICATIONS

- Reach-in Coolers
- Open Coolers
- Bakery Cases
- Advertising / POP Displays
- Vending Machines
- Cabinet Lighting

SPECIFICATIONS

Part Number	Description	Voltage	Watts	Viewing Angle (per LED)	Lumens (lm)	Rated Life* (hours)	CRI	CCT	Length (in.)
MT56500-60-1	Cool White T5 LED Tube ≈1'	24V	2.88	60°	110	50,000	80	6500K	12.63
MT56500-60-2	Cool White T5 LED Tube ≈2'	24V	5.76	60°	220	50,000	80	6500K	24.44
MT56500-60-3	Cool White T5 LED Tube ≈3'	24V	8.64	60°	330	50,000	80	6500K	36.25
MT56500-60-4	Cool White T5 LED Tube ≈4'	24V	11.52	60°	445	50,000	80	6500K	48.06
MT56500-60-5	Cool White T5 LED Tube ≈5'	24V	14.40	60°	545	50,000	80	6500K	59.86
MT54200-60-1	Neutral White T5 LED Tube ≈1'	24V	2.88	60°	110	50,000	80	4200K	12.63
MT54200-60-2	Neutral White T5 LED Tube ≈2'	24V	5.76	60°	220	50,000	80	4200K	24.44
MT54200-60-3	Neutral White T5 LED Tube ≈3'	24V	8.64	60°	330	50,000	80	4200K	36.25
MT54200-60-4	Neutral White T5 LED Tube ≈4'	24V	11.52	60°	440	50,000	80	4200K	48.06
MT54200-60-5	Neutral White T5 LED Tube ≈5'	24V	14.40	60°	485	50,000	80	4200K	59.86
MT53500-60-1	Warm White T5 LED Tube ≈1'	24V	2.88	60°	100	50,000	80	3500K	12.63
MT53500-60-2	Warm White T5 LED Tube ≈2'	24V	5.76	60°	205	50,000	80	3500K	24.44
MT53500-60-3	Warm White T5 LED Tube ≈3'	24V	8.64	60°	305	50,000	80	3500K	36.25
MT53500-60-4	Warm White T5 LED Tube ≈4'	24V	11.52	60°	415	50,000	80	3500K	48.06
MT53500-60-5	Warm White T5 LED Tube ≈5'	24V	14.40	60°	490	50,000	80	3500K	59.86

*Panoptics Lamp Life rating is based on LED source data



Dimmable!

3 YEAR LIMITED WARRANTY



To purchase this product visit www.panopticslighting.com or call 518-406-8065 to speak to a Panoptics sales representative.

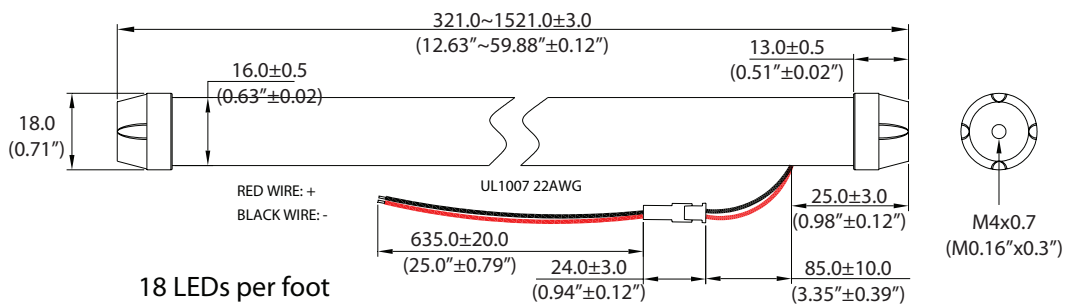


T5 60° LED Light Tube

ABSOLUTE MAXIMUM RATINGS (Ta = 25°C)

Parameter	Symbol	Rating	Unit
Operating Temperature	Topr.	-20 to +40	°C
Storage Temperature	Tstg.	-30 to +80	°C

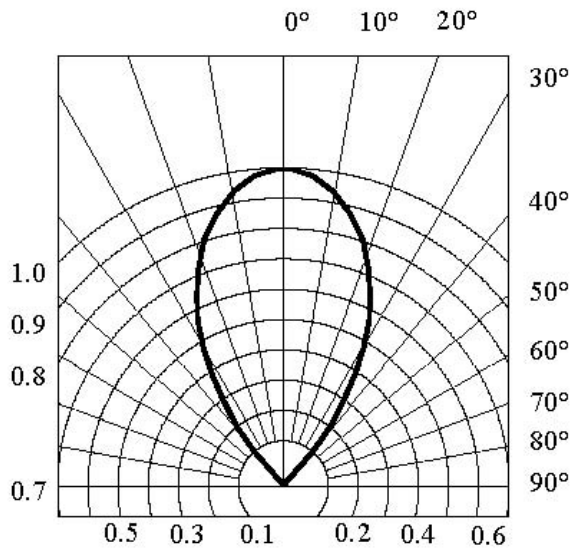
Dimensions:



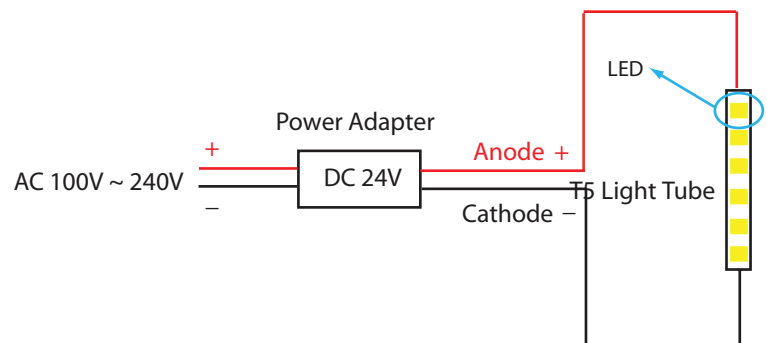
1. All dimensions are in mm (inches).
2. Tolerance is $\pm 0.5\text{mm}$ (0.02 inches) unless otherwise noted.

DIAGRAMS:

Radiation Pattern:



Circuit Diagram:





T5 60° LED Light Tube

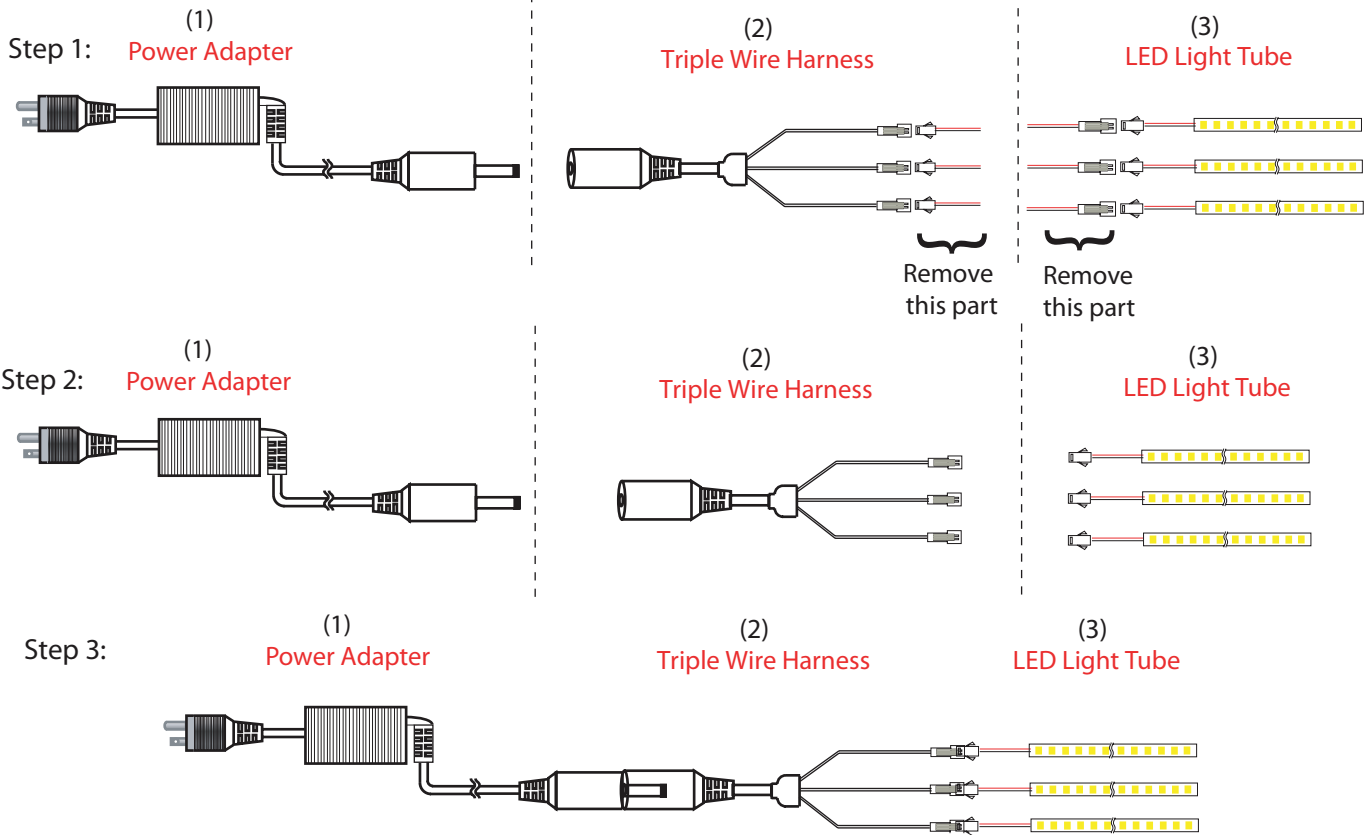
SUGGESTED POWER ADAPTER FOR 60° T5 LIGHT TUBE APPLICATIONS:

Length*	Up to 5'	Up to 10'	Up to 15'
Suggested Power Adapter	25W / 24V / 1.04A	48W / 24V / 2A	66W / 24V / 2.57A
Power Adapter Part Number	EP102524AJ-01(T5-T9)	EP104824CJ-01(T5-T9)	EP106624AJ-01(T5-T9)

*Refers to the total length of the light tube being illuminated. Example: 3 - 36" Tube = 9'

*Note: Each Power Adapter includes both a SINGLE WIRE HARNESS and a TRIPLE WIRE HARNESS

Configuration (A)



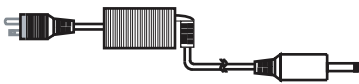


T5 60° LED Light Tube

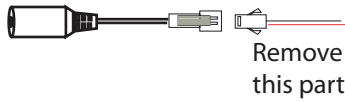
SUGGESTED POWER ADAPTER (Continued)

Configuration (B)

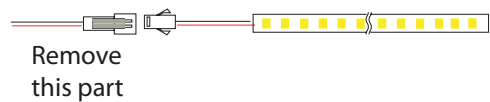
Step 1: (1) Power Adapter



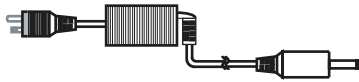
(2) Single Wire Harness



(3) LED Light Tube



Step 2: (1) Power Adapter



(2) Single Wire Harness



(3) LED Light Tube



Step 3:

(1) Power Adapter

(2) Single Wire Harness

(3) LED Light Tube



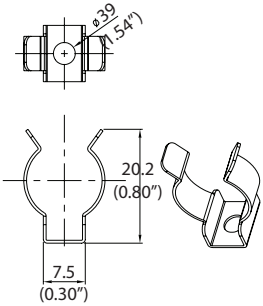


T5 60° LED Light Tube

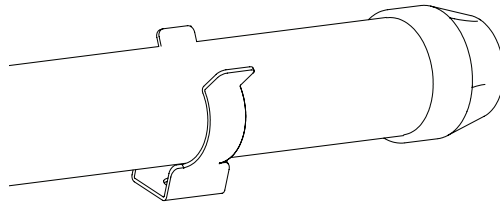
MOUNTING:

Type A (Included)

Dimensions in mm (inches)



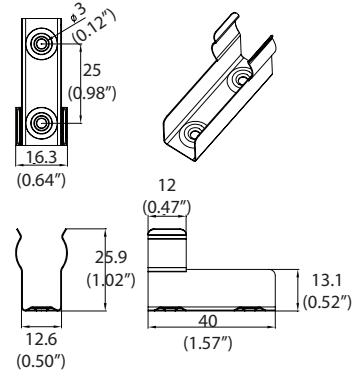
Holder Dimension



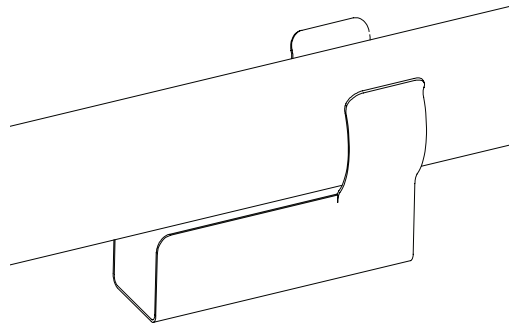
Assembly Diagram

Type B (Included)

Dimensions in mm (inches)



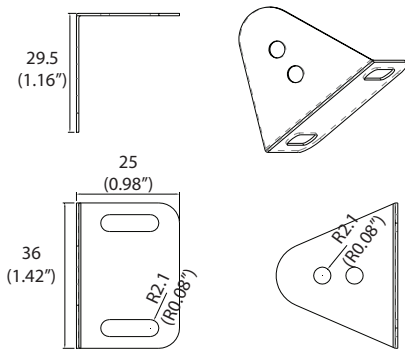
Holder Dimension



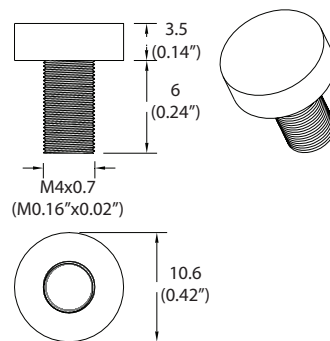
Assembly Diagram

Type C (Included)

Dimensions in mm (inches)



Holder Dimension



Screw Dimension

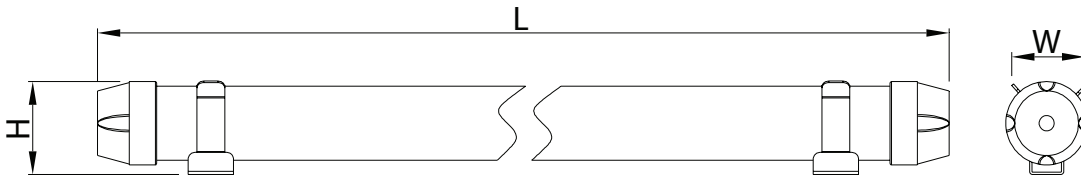


T5 60° LED Light Tube

BRACKET DIMENSIONS:

Type "A" (Included)

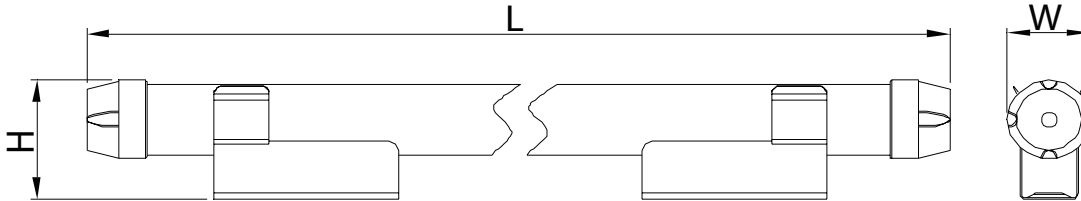
Dimensions in mm (inches)



L:	320~1520mm (12.6~59.8")
H:	22mm (0.87")
W:	19mm (0.75")

Type "B" (Included)

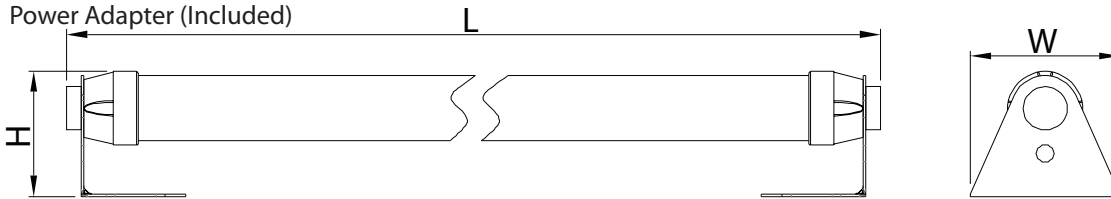
Dimensions in mm (inches)



L:	320~1520mm (12.6~59.8")
H:	27mm (1.06")
W:	18mm (0.71")

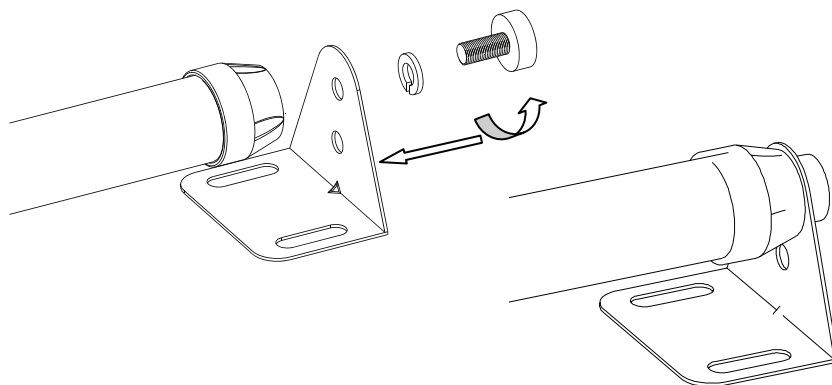
Type "C" (2) Wire Harness Single (2) Add Dimmer between two connectors (1) Disconnect Barrel Connectors (3) LED Light Tube (1) Power Adapter (Included)

Dimensions in mm (inches)

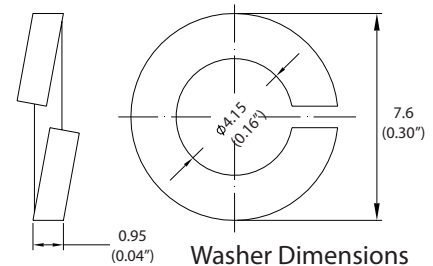


L:	320~1520mm (12.6~59.8")
H:	30mm (1.18")
W:	36mm (1.41")

TYPE "C" ASSEMBLY DIAGRAM



Dimensions in mm (inches)

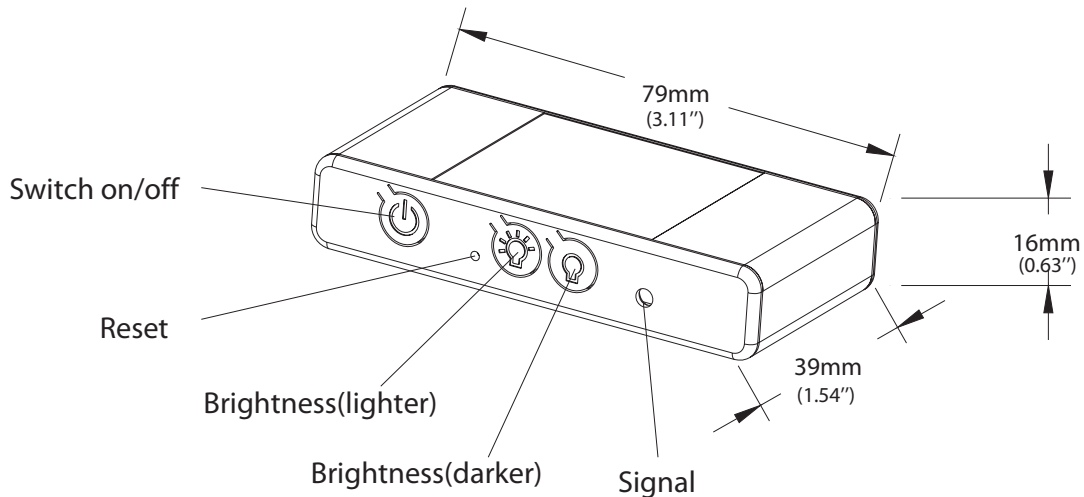




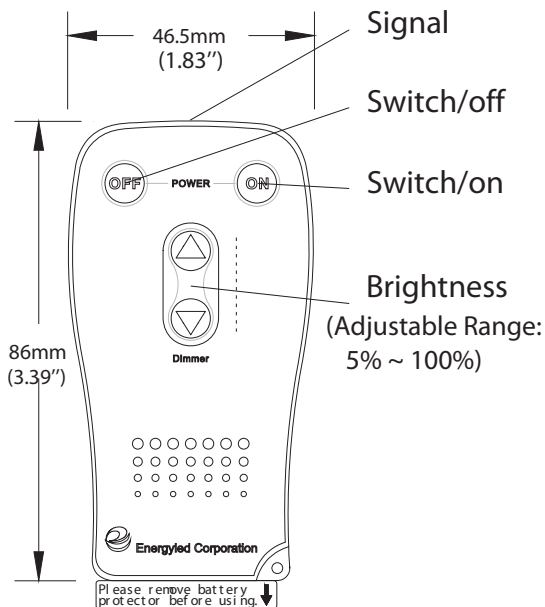
T5 60° LED Light Tube

OPTIONAL ACCESSORIES - DIMMER KIT (EA2024-01) SOLD SEPARATELY

Front of the Remote Receiver

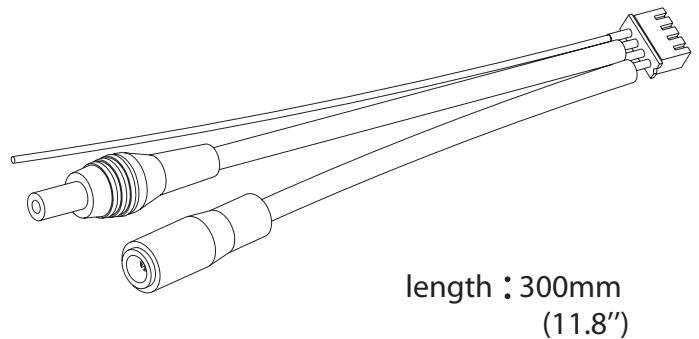


Wireless Remote Controller



Please remove battery protector before using.

Connecting Wires



Specs:

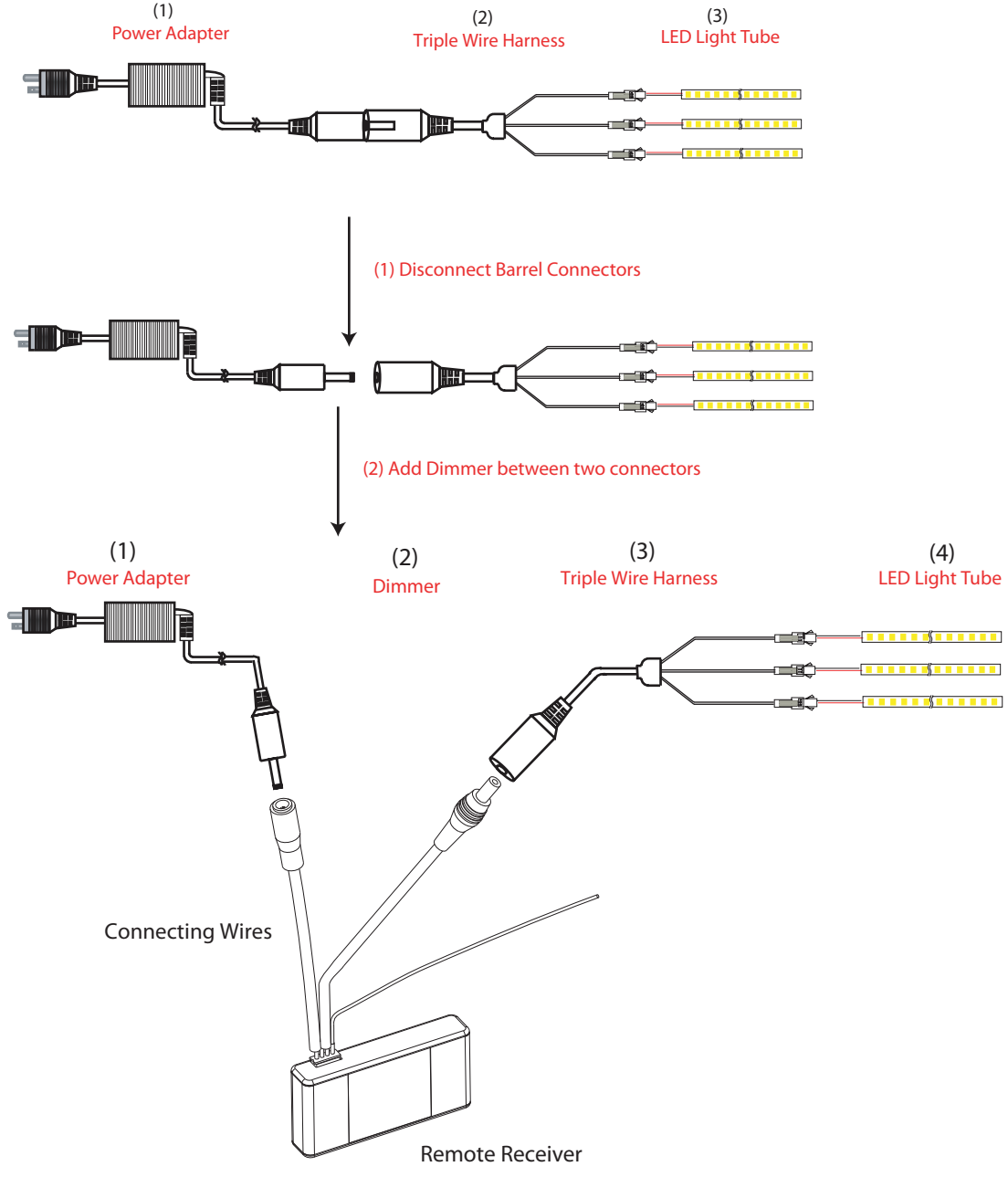
- (1) Receiving Distance: 15m (49.21')
- (2) Maximum Output Power: 72W (24V)
- (3) Battery: 3V Lithium Battery (Included)



T5 60° LED Light Tube

OPTIONAL ACCESSORIES - DIMMER KIT (EA2024-01) SOLD SEPARATELY

Dimmer Installation for Configuration "A":





T5 60° LED Light Tube

OPTIONAL ACCESSORIES - DIMMER KIT (EA2024-01) SOLD SEPARATELY

Dimmer Installation for Configuration "B":

