



# T8 LED Light Tube

## FEATURES

- 4000K Neutral White Color
- Frosted Lens cover
- Available in ≈2' - 5' lengths
- IP44 Rated

## BENEFITS

- Immediate power savings
- Low heat dissipation reduces load on cooler and freezer compressors
- No ballast / starter needed
- Eliminates maintenance and reduces costs
- Improves product visibility
- Easy to install
- No environmentally hazardous materials
- No warm-up time, instant-on with full light output and stable color

## APPLICATIONS

- Reach-in coolers
- Open Coolers
- Industrial Freezers
- Product Displays
- Vending Machines
- POP Advertising Displays

## SPECIFICATIONS

Part Number	DescriptionW	Voltage	atts	Radiation Pattern	Lumens (lm)	Rated Life* (hours)	CRI	CCT	Length (in.)
E1B5KLYC7-S2	Neutral White T8 LED Tube ≈2'	24V	8.4	180°	500	50,000	80	4000K	23.23
E1B5KLYC7-S3	Neutral White T8 LED Tube ≈3'	24V	12.6	180°	750	50,000	80	4000K	35.24
E1B5KLYC7-S4	Neutral White T8 LED Tube ≈4'	24V	16.8	180°	1000	50,000	80	4000K	47.17
E1B5KLYC7-S5	Neutral White T8 LED Tube ≈5'	24V	21.0	180°	1250	50,000	80	4000K	59.06

\*Panoptics Lamp Life rating is based on LED source data



To purchase this product visit [www.panopticslighting.com](http://www.panopticslighting.com) or call 518-406-8065 to speak to a Panoptics sales representative.



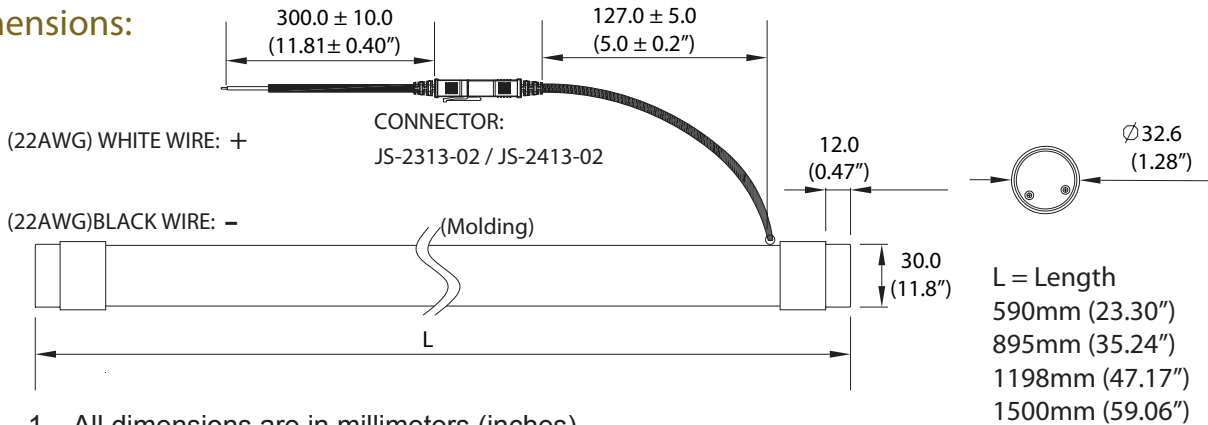


# T8 LED Light Tube

## ABSOLUTE MAXIMUM RATINGS (Ta = 25°C)

Parameter	Symbol	Rating	Unit
Operating Temperature	Topr.	-20 to +40	°C
Storage Temperature	Tstg.	-30 to +60	°C

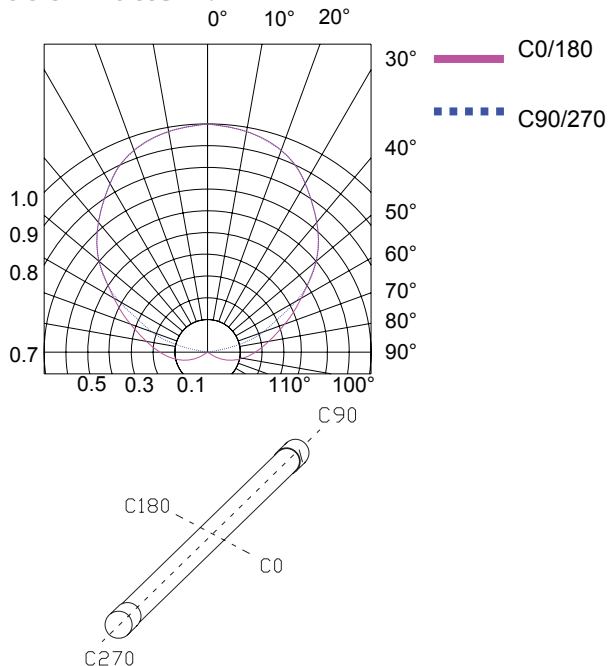
### Dimensions:



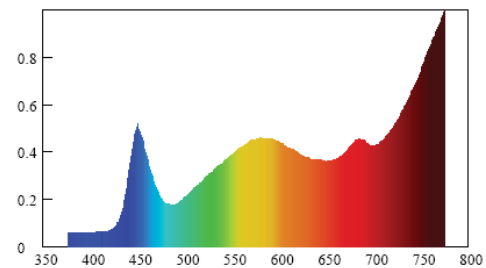
- All dimensions are in millimeters (inches).
- Tolerance is +/- 0.5 mm (0.02 inch) unless otherwise noted.

## DIAGRAMS:

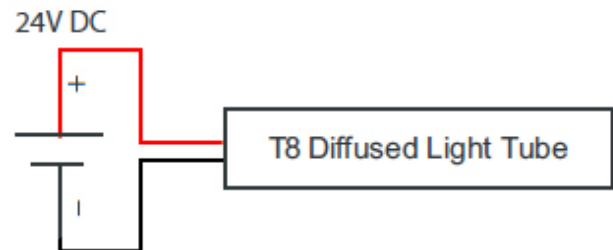
### Radiation Pattern:



### Spectral Distribution (nm) for 4000K:



### Circuit Diagram:





# T8 LED Light Tube

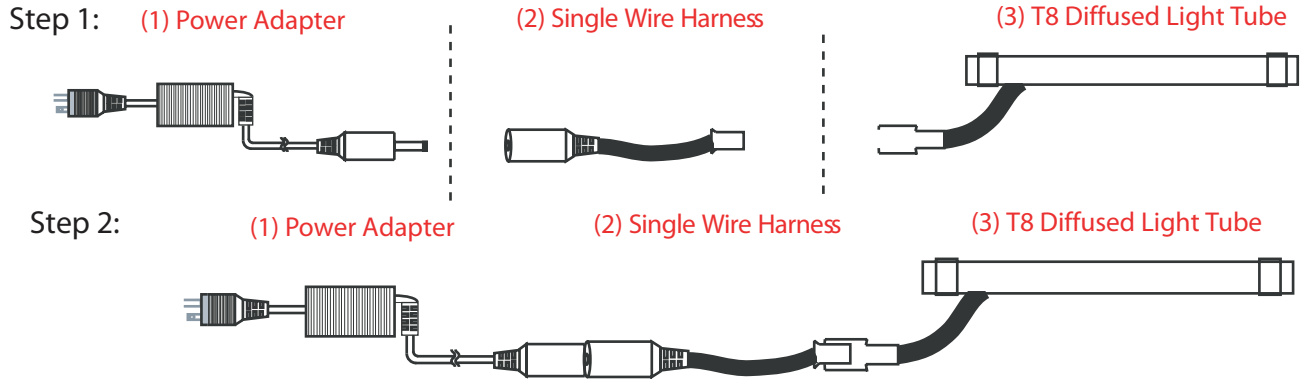
## POWER ADAPTER FOR T8 LIGHT TUBE PLUG TYPE:

Length*	Up to 12'	Up to 15'
Suggested Power Adapter	DC 24V / 66W	DC 24V / 90W
Power Adapter Part Number	EP106624AJ-01 (T8)	EP109024CM-01 (T8)

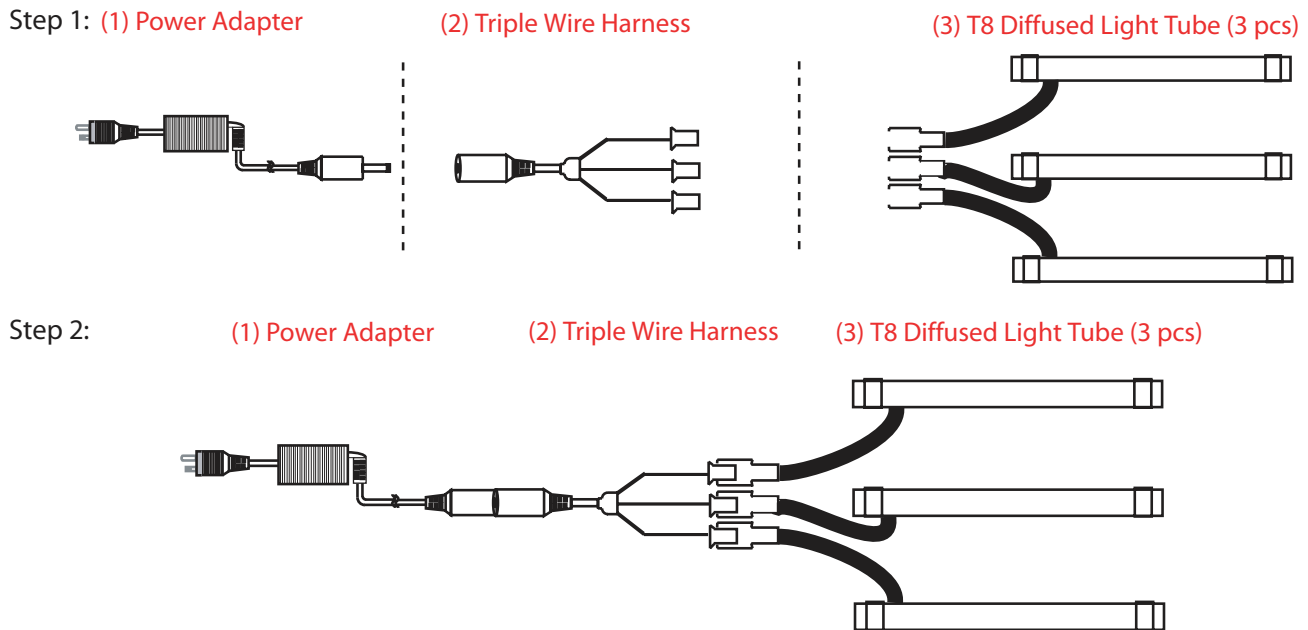
\*Refers to the total length of the light tube being illuminated. Example: 2 - 24" Tubes = 4'

\*Note: Each Power Adapter includes both a SINGLE WIRE HARNESS and a TRIPLE WIRE HARNESS.

### Configuration (A) (Single Wire Harness Included with Power Adapter.)



### Configuration (B) (Triple Wire Harness Included with Power Adapter.)





# T8 LED Light Tube

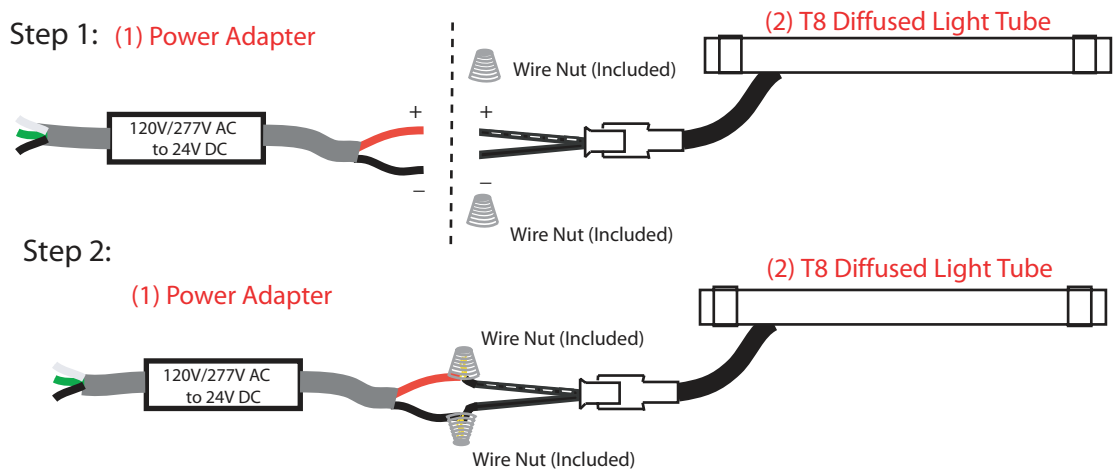
## POWER ADAPTER FOR T8 LIGHT TUBE BALLAST TYPE:

Length*	Up to 20'
Suggested Power Adapter	DC 24V / 96W
Power Adapter Part Number	MTWP96W-24V (T8)
IP	IP66

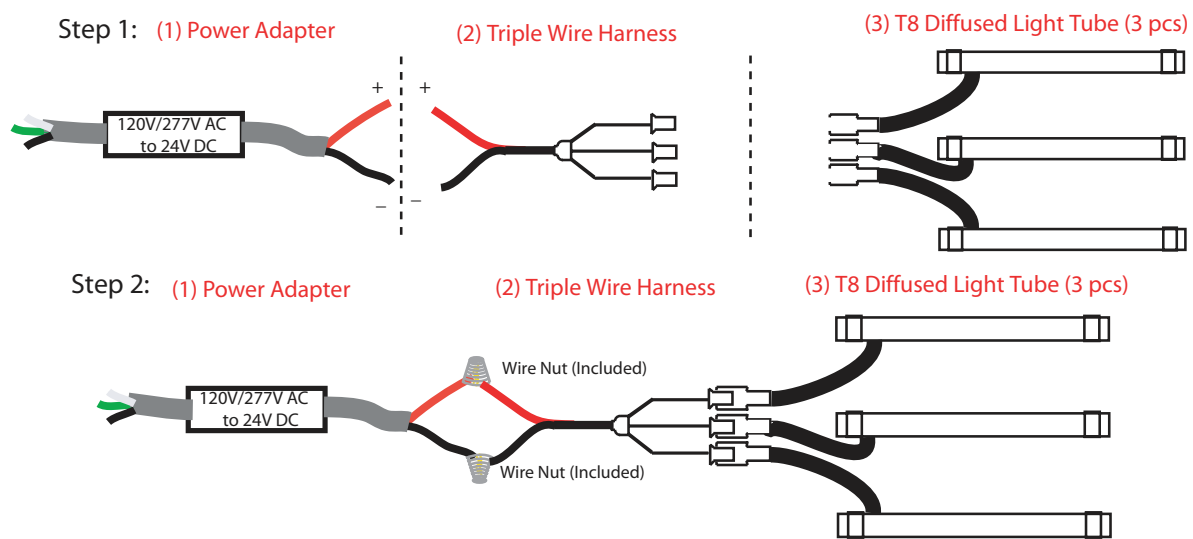
\*Refers to the total length of the light tube being illuminated. Example: 2 - 5' Tubes = 10'

\*Note: Each Power Adapter includes TRIPLE WIRE HARNESS.

### Configuration (A) (Single Connection Included with each Tube.)



### Configuration (B) (Triple Wire Harness Included with Power Supply.)

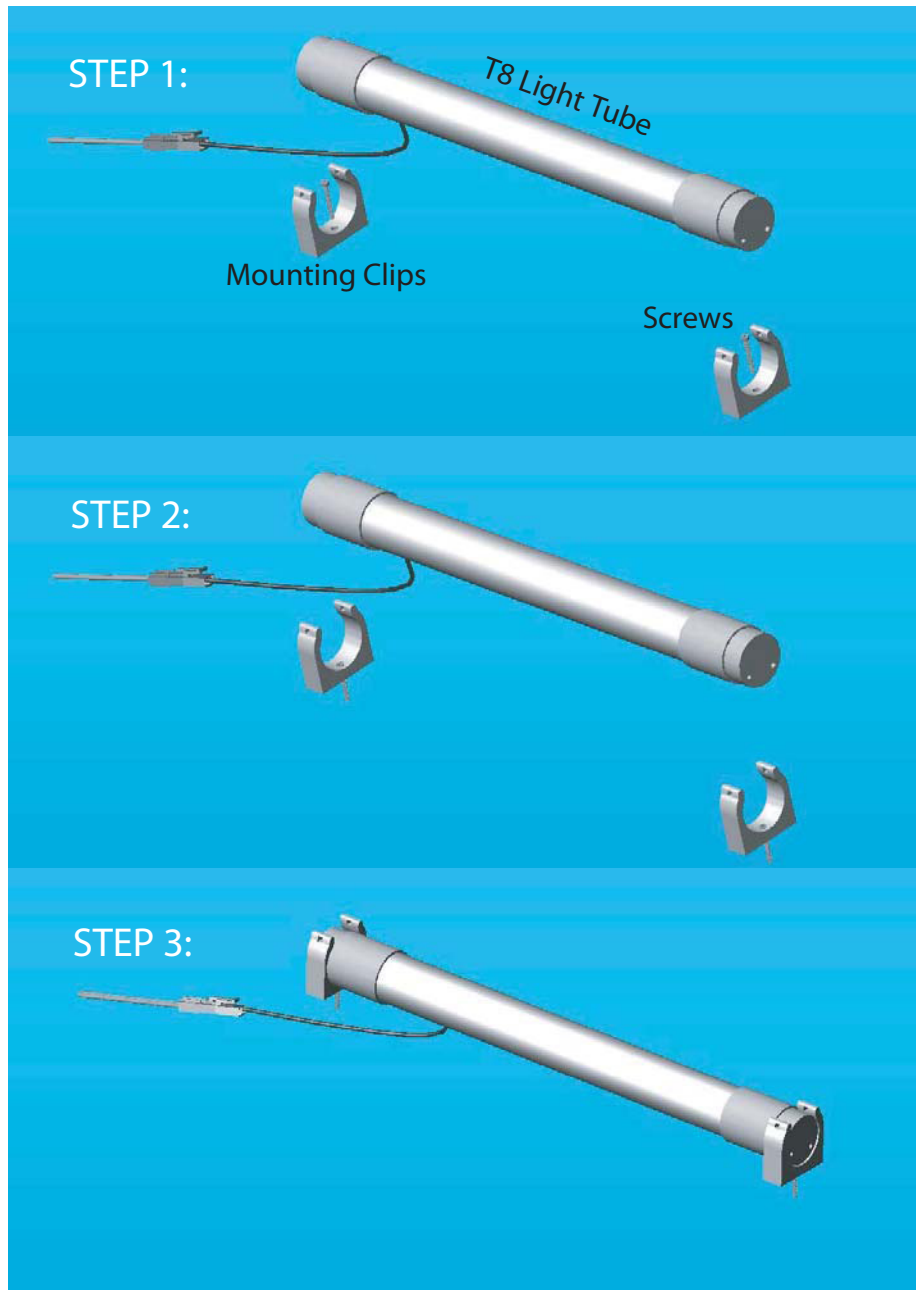




# T8 LED Light Tube

## MOUNTING:

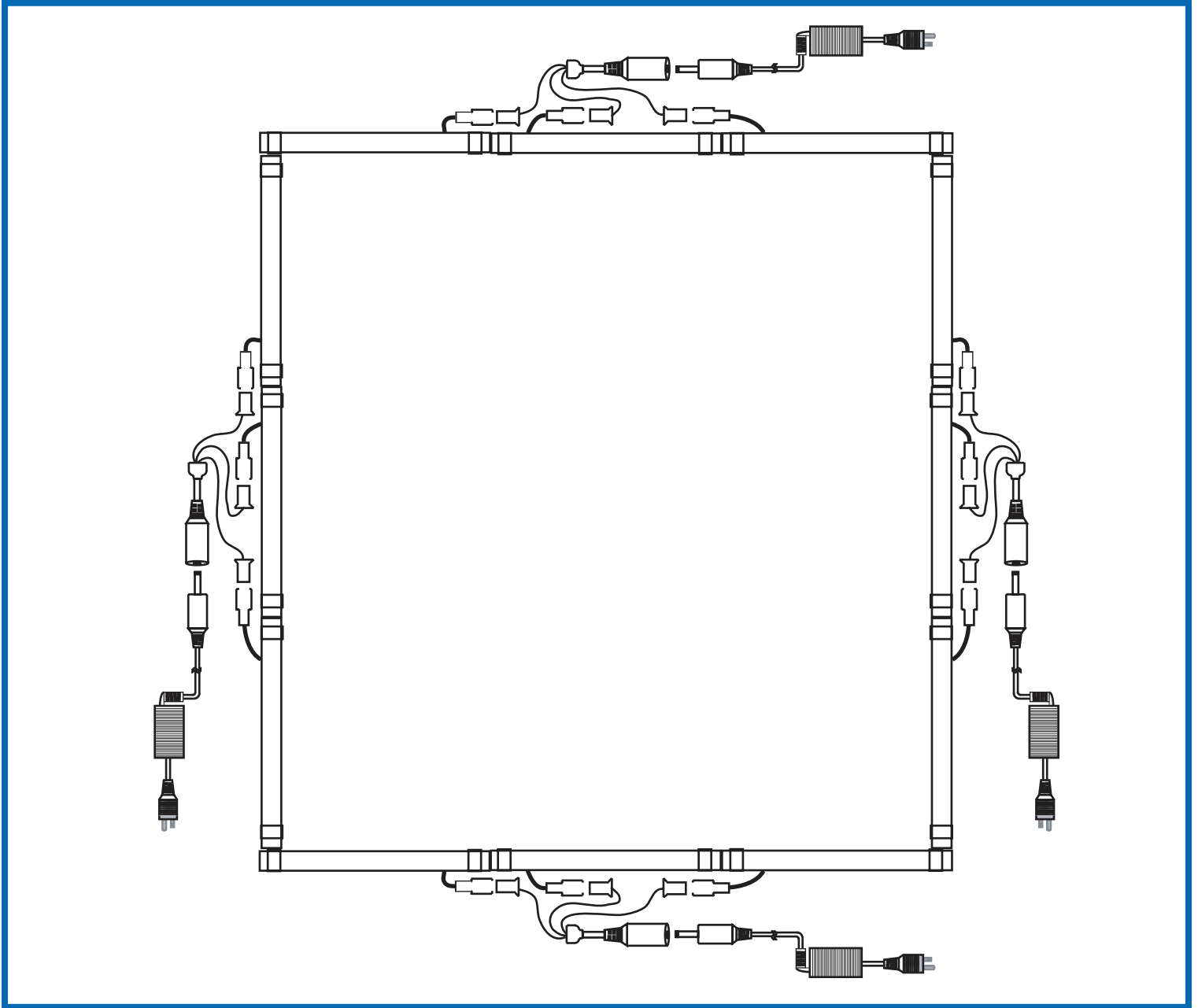
2 Mounting Clips and Screws (Included)





# T8 LED Light Tube

## CONFIGURATION (LINEAR APPLICATION):

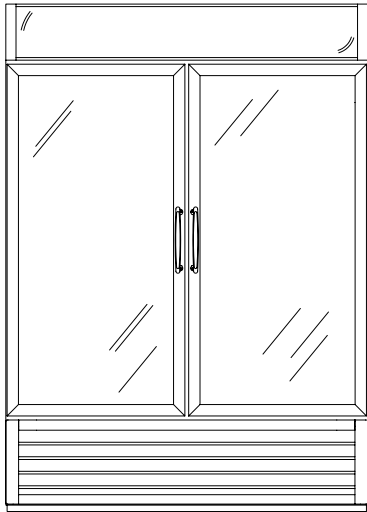




# T8 LED Light Tube

## T8 RETRO-FIT KITS:

### 2 Door Cooler/Freezer Kit:

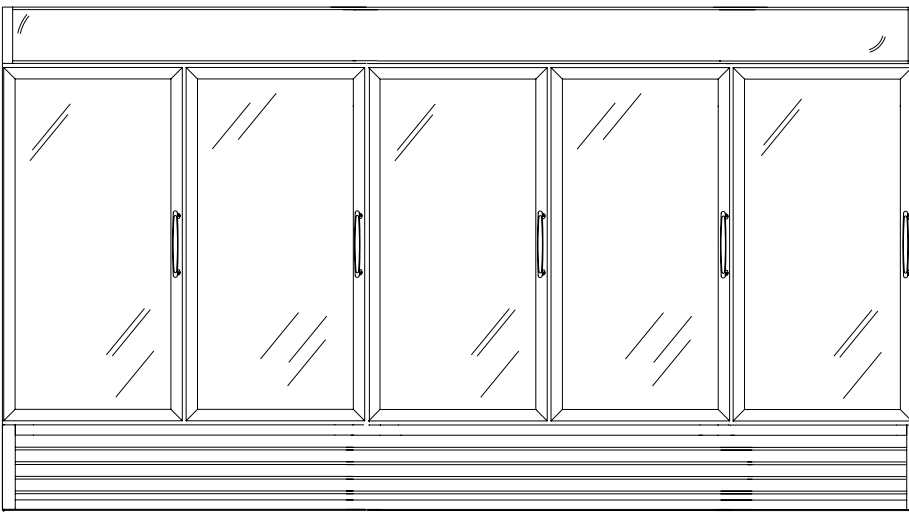


Item Number: MTKT8-4000-35 KIT

#### T8 KIT INCLUDES

- (3) 5 foot 4000K T8 LED Tubes
- (1) 96W, 24V Power supply
- (1) Wire harness
- (9) Mounting Clips (3 per Tube)

### 5 Door Cooler/Freezer Kit:



Item Number: MTKT8-4000-65 KIT

#### T8 KIT INCLUDES

- (6) 5 foot 4000K T8 LED Tubes
- (2) 96W, 24V Power supply
- (2) Wire harness
- (18) Mounting Clips (3 per Tube)