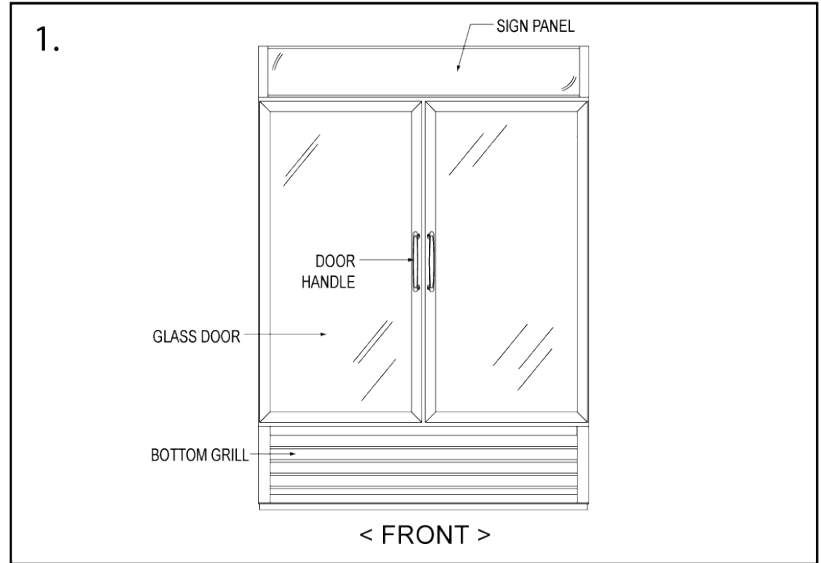


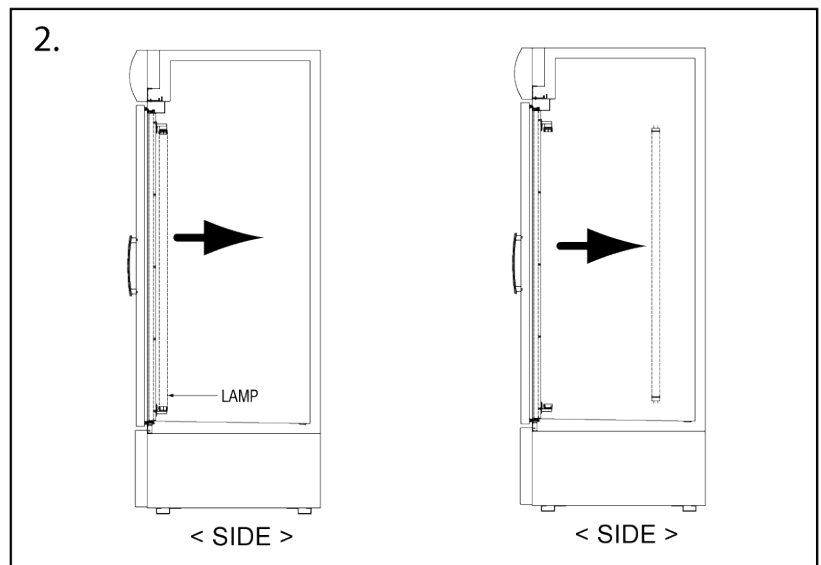
1. Remove power from cooler system.

For safety, all power must be disconnected prior to removal of existing lamps and installation of Marktech T8 LED Light Tubes.



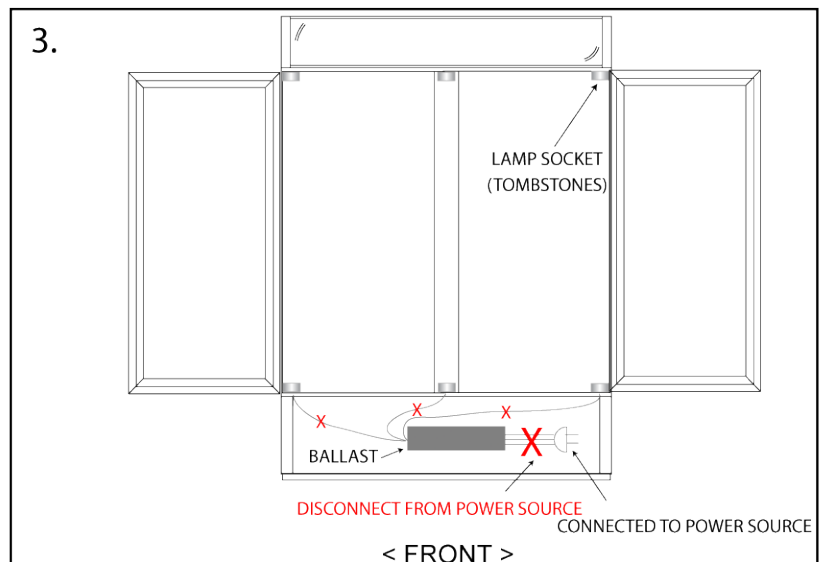
2. Remove Lamps.

Remove lamp covers if present and remove existing lamps.



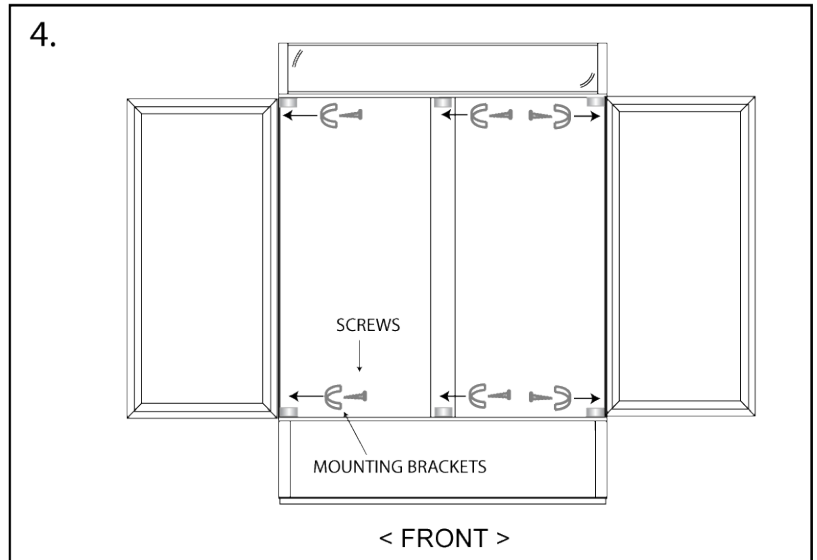
3. Remove Ballast.

Disconnect power source from ballast and remove ballast(s).



4. Install Mounting Brackets.

Use self tapping screws to mount the mounting brackets (both supplied). Each mounting bracket should be placed just inside the existing fluorescent sockets (tombstones) so they line up with the smaller diameter of the end cap.



5. Install T8 LED Tubes.

Install the T8 LED tubes into the new mounting brackets. Tubes will mount easily and should not have excess force supplied.

Connect T8 LED Tubes to wire harness using the Three Wire Harness (supplied), snap connectors to the T8 light tubes. If any lead connection is not used, it should be properly taped to avoid shorting of the exposed connection.

Connect Wire Harness to Power Adapter

Connect Power Adapter to Power Source

Apply power to system.

