



# T9 100° LED Light Tube

## FEATURES

- Available in ≈1' - 5' lengths
- Available in both Right and Left versions
- Multiple hardware mounting options
- End-to-end connections for linear applications
- Can be dimmed using Marktech dimmer EA2024-01

## BENEFITS

- Immediate power savings
- Eliminates maintenance and reduces costs
- Reduces glare and improves product visibility
- No environmentally hazardous materials

## APPLICATIONS

- Refrigeration / Cooler Lighting
- Display Cases
- Bakery Cases
- Cove Lighting
- Backlighting

## SPECIFICATIONS

Part Number	Description	Voltage	Watts	Viewing Angle (per LED)	Lumens (lm)	Rated Life* (hours)	CRI	CCT	Length (in.)
EY11SM-LB-S1(L,R)	Cool White T9 LED Tube ≈1'	24V	3.84	100°	148	50,000	80	6500K	12.75
EY11SM-LB-S2(L,R)	Cool White T9 LED Tube ≈2'	24V	7.68	100°	297	50,000	80	6500K	24.50
EY11SM-LB-S3(L,R)	Cool White T9 LED Tube ≈3'	24V	11.52	100°	451	50,000	80	6500K	36.25
EY11SM-LB-S4(L,R)	Cool White T9 LED Tube ≈4'	24V	15.36	100°	533	50,000	80	6500K	48.00
EY11SM-LB-S5(L,R)	Cool White T9 LED Tube ≈5'	24V	19.20	100°	613	50,000	80	6500K	60.00
EY11SM-LY-S1(L,R)	Neutral White T9 LED Tube ≈1'	24V	3.84	100°	147	50,000	80	4200K	12.75
EY11SM-LY-S2(L,R)	Neutral White T9 LED Tube ≈2'	24V	7.68	100°	306	50,000	80	4200K	24.50
EY11SM-LY-S3(L,R)	Neutral White T9 LED Tube ≈3'	24V	11.52	100°	447	50,000	80	4200K	36.25
EY11SM-LY-S4(L,R)	Neutral White T9 LED Tube ≈4'	24V	15.36	100°	522	50,000	80	4200K	48.00
EY11SM-LY-S5(L,R)	Neutral White T9 LED Tube ≈5'	24V	19.20	100°	602	50,000	80	4200K	60.00
EY11SM-LH-S1(L,R)	Warm White T9 LED Tube ≈1'	24V	3.84	100°	140	50,000	80	3500K	12.75
EY11SM-LH-S2(L,R)	Warm White T9 LED Tube ≈2'	24V	7.68	100°	293	50,000	80	3500K	24.50
EY11SM-LH-S3(L,R)	Warm White T9 LED Tube ≈3'	24V	11.52	100°	438	50,000	80	3500K	36.25
EY11SM-LH-S4(L,R)	Warm White T9 LED Tube ≈4'	24V	15.36	100°	528	50,000	80	3500K	48.00
EY11SM-LH-S5(L,R)	Warm White T9 LED Tube ≈5'	24V	19.20	100°	608	50,000	80	3500K	60.00

\*Panoptics Lamp Life rating is based on LED source data

**Dimmable!**



**Energyled**

3 YEAR LIMITED WARRANTY

lead-free

RoHS

GREEN LIGHTING PRODUCT

CE

To purchase this product visit  
[www.panopticslighting.com](http://www.panopticslighting.com)  
 or call 518-406-8065 to speak to a  
 Panoptics sales representative.



# T9 100° LED Light Tube

## ABSOLUTE MAXIMUM RATINGS (Ta = 25°C)

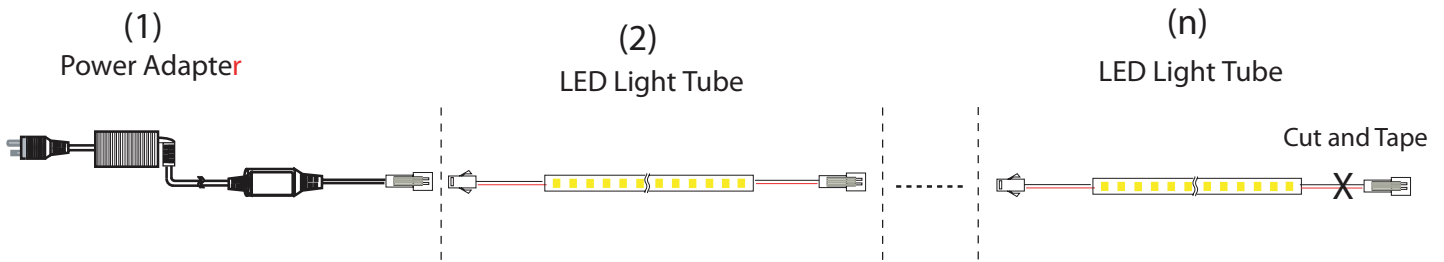
Parameter	Symbol	Rating	Unit
Operating Temperature	Topr.	-20 to +40	°C
Storage Temperature	Tstg.	-30 to +80	°C

## SUGGESTED POWER ADAPTER FOR 100° LIGHT TUBE APPLICATIONS:

Length*	Up to 5'	Up to 10'	Up to 15'
Suggested Power Adapter	25W / 24V / 1.04A	48W / 24V / 2A	66W / 24V / 2.57A
Power Adapter Part Number	EP102524AJ-01(T5-T9)	EP104824CJ-01(T5-T9)	EP106624AJ-01(T5-T9)

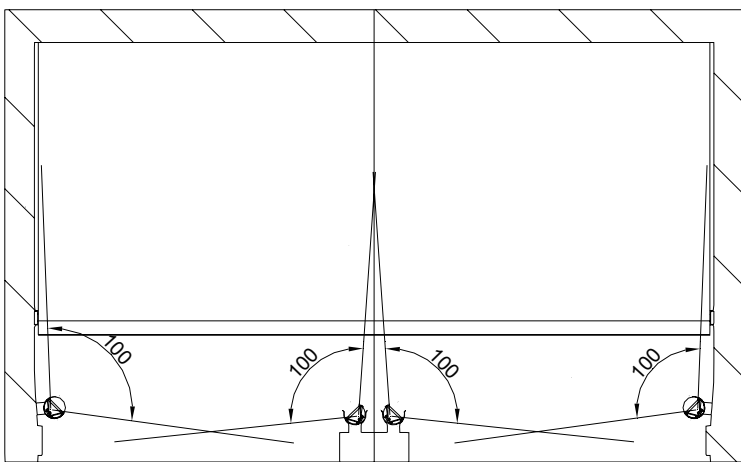
\*Refers to the total length of the light tube being illuminated. Example: 3 - 36" Tube = 9'

### Configuration:

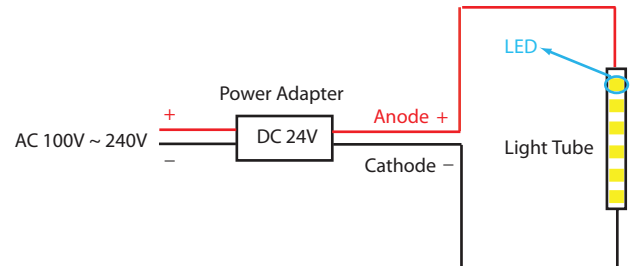


## DIAGRAMS:

### Cooler Diagram:



### Circuit Diagram:

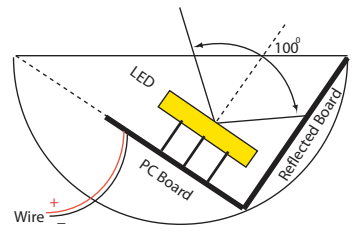
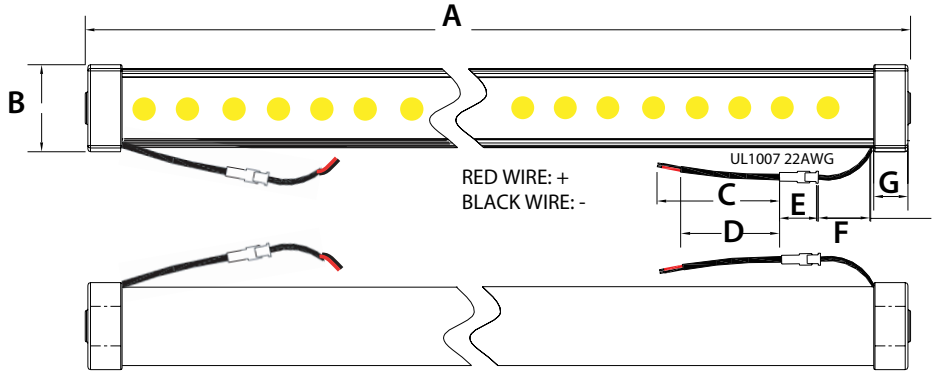




# T9 100° LED Light Tube

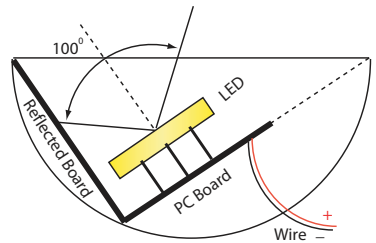
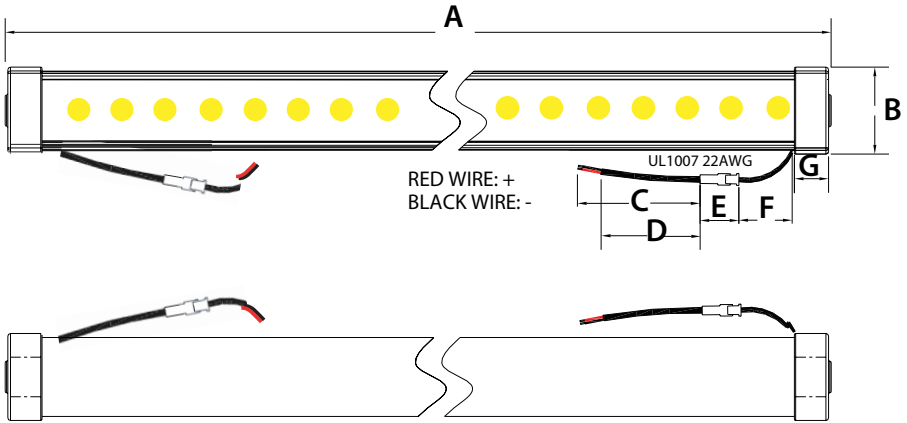
## DIMENSIONS:

### Left Connection



View from the end side having wire

### Right Connection



View from the end side having wire

- A = 320 ~1520mm (12.60" ~ 59.84")
- B = 33mm (1.30")
- C = 20.0±1.0mm (0.79"±0.04")
- D = 18.5±0.5mm (0.73"±0.02")
- E = 24.0±3.0mm (0.94"±0.12")
- F = 18.5±1.0mm (0.73"±0.39")
- G = 13.0mm (0.51")

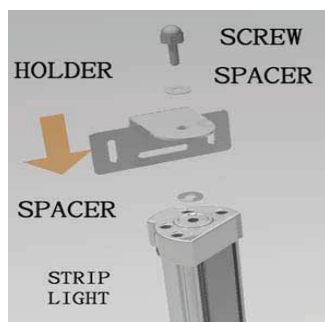
1. All Dimensions are in millimeters (inches)
2. Tolerance is ± 0.5mm (0.02") unless otherwise stated
3. 18 LEDs per foot



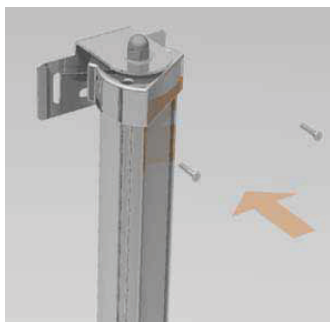
# T9 100° LED Light Tube

## MOUNTING OPTIONS:

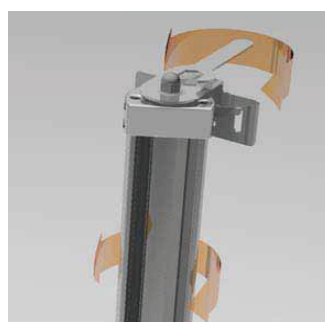
### Fixed Bracket Installation:



STEP 1



STEP 2

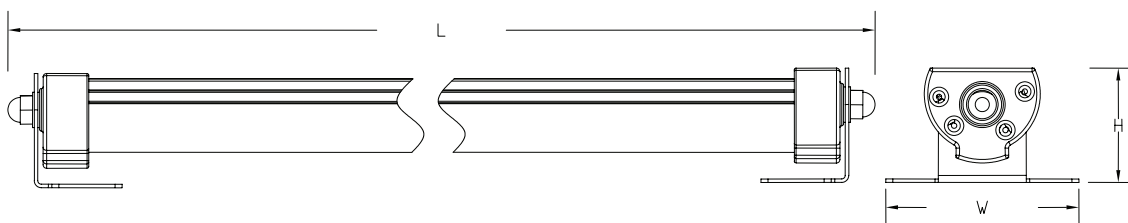


STEP 3

STEP 1: Gather Parts

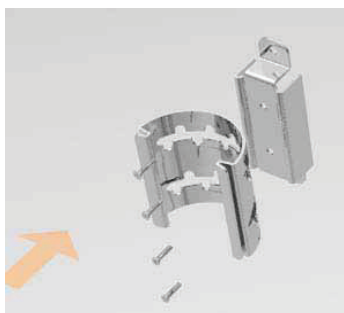
STEP 2: Install Fixed Bracket

STEP 3: Tighten Screw after adjusting the illumination angle.



L = 337.0 ~ 1537.0mm  
(13.23" ~ 60.51")  
H = 32.28mm (1.27")  
W = 55.0mm (2.17")

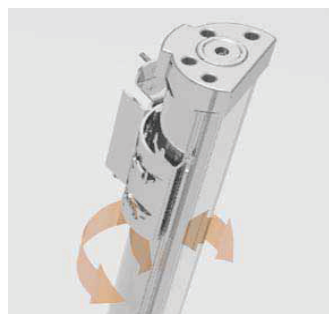
### Angle Bracket Installation:



STEP 1



STEP 2

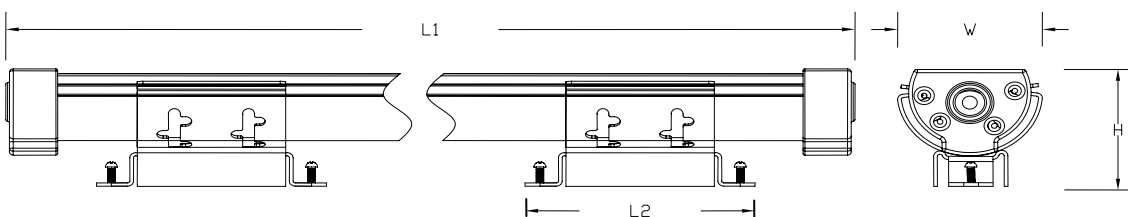


STEP 3

STEP 1: Gather Parts

STEP 2: Rotate Bracket to desired angle and tighten screws.

STEP 3: Push light Tube into the Bracket.



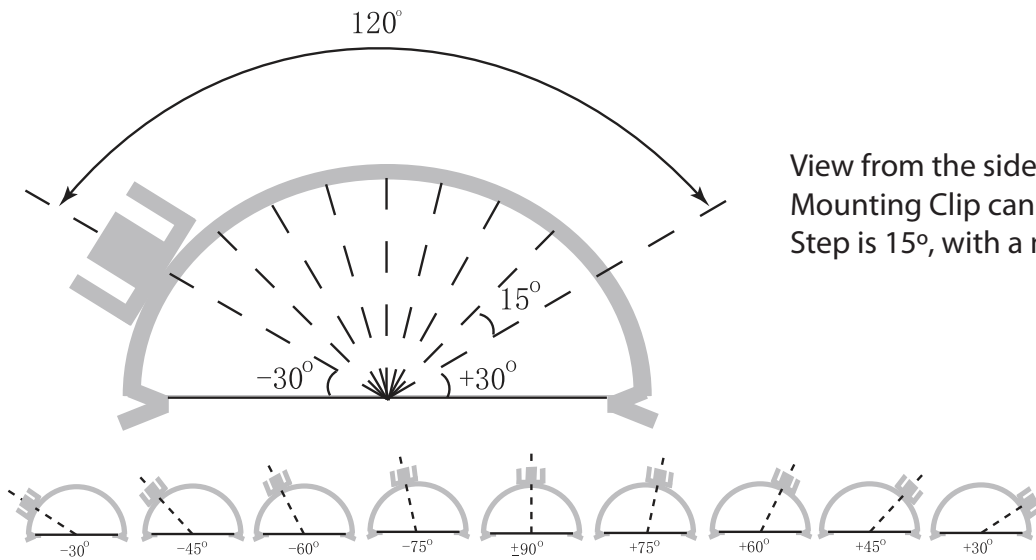
L1 = 320.0 ~ 1520.0mm  
(12.60" ~ 59.84")  
L2 = 62.0mm (2.44")  
H = 32.28mm (1.27")  
W = 39.0mm (1.54")



# T9 100° LED Light Tube

## MOUNTING OPTIONS:

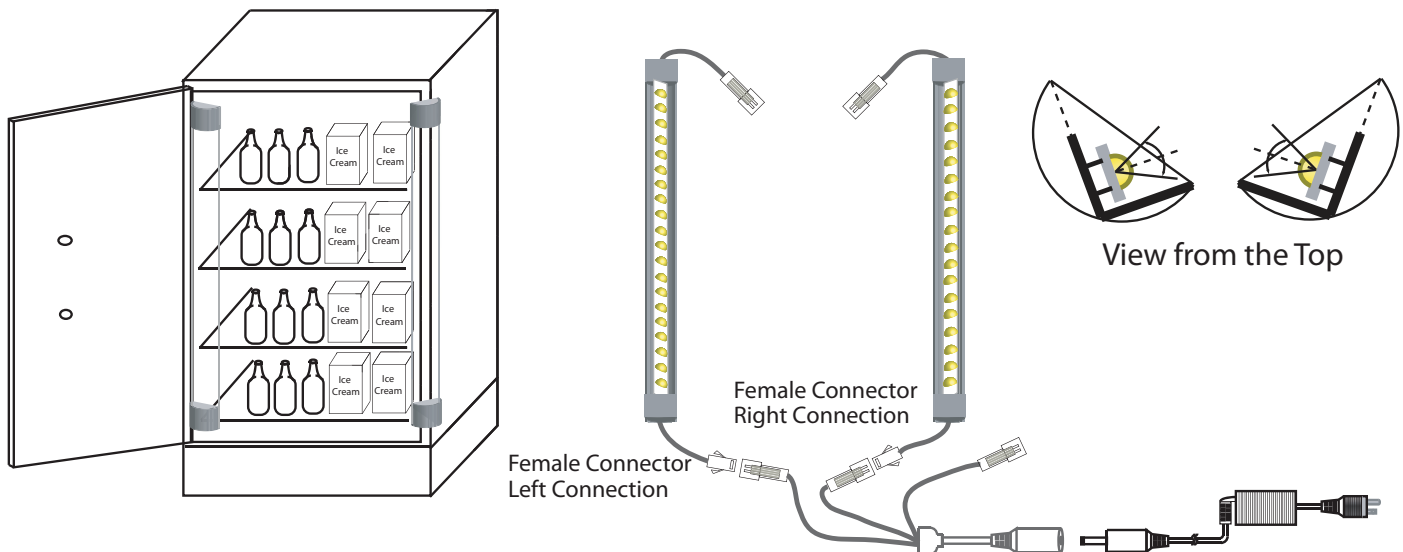
For Angle Bracket installation the maximum adjustable angle is 120°, see schematic below.



View from the side of the LED Light Tube Mounting Clip can rotate from -30° to +30°; Step is 15°, with a maximum rotation of 120°

## FREEZER APPLICATION:

Example of Left and Right Connections in a Freezer Application:

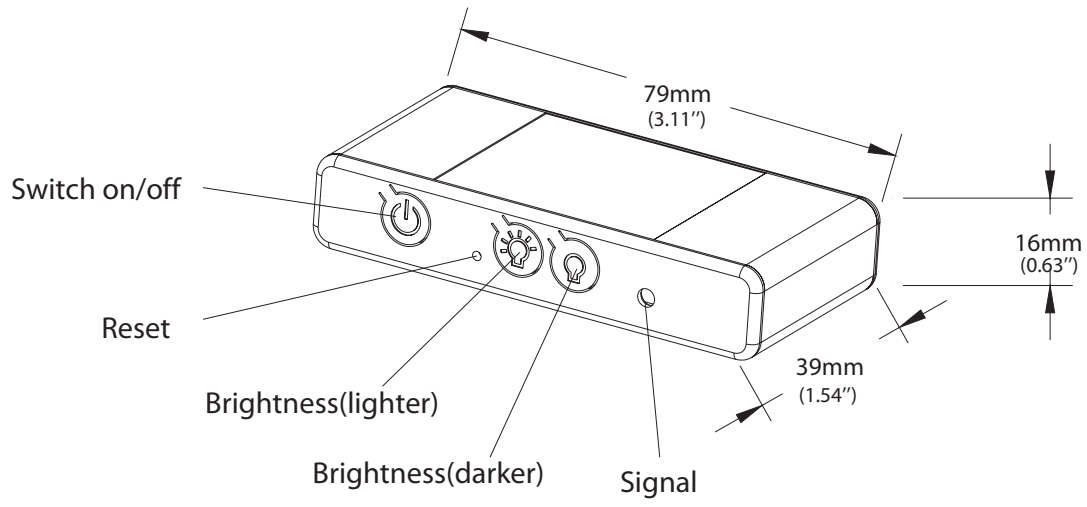




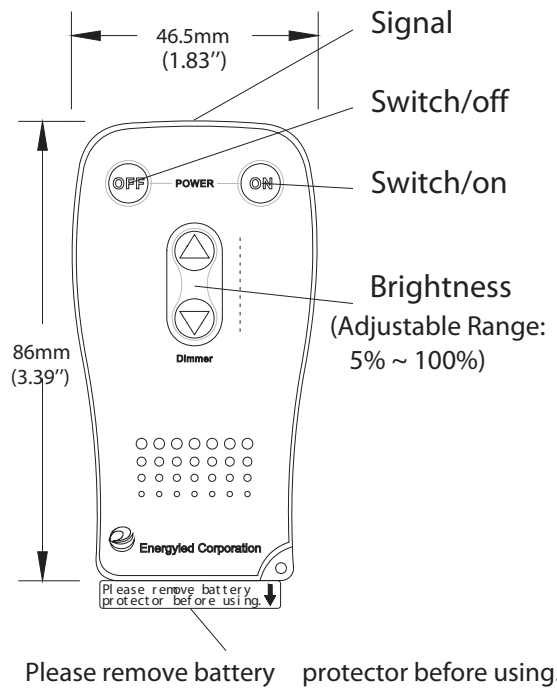
# T9 100° LED Light Tube

## OPTIONAL ACCESSORIES - DIMMER KIT (EA2024-01) SOLD SEPARATELY

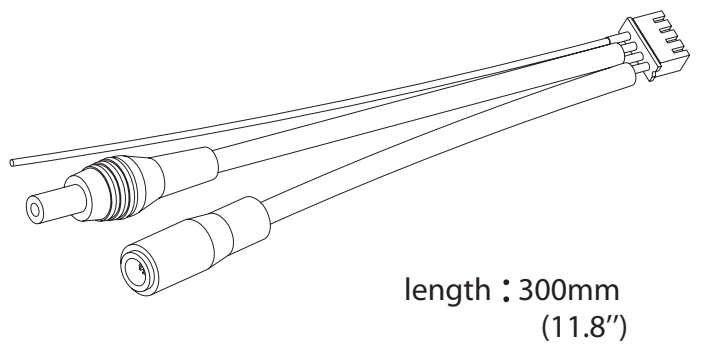
Front of the Remote Receiver



Wireless Remote Controller



Connecting Wires



- Specs:
- (1) Receiving Distance: 15m (49.21')
  - (2) Maximum Output Power: 72W (24V)
  - (3) Battery: 3V Lithium Battery (Included)



# T9 100° LED Light Tube

## OPTIONAL ACCESSORIES - DIMMER KIT (EA2024-01) SOLD SEPARATELY

### Dimmer Installation:

